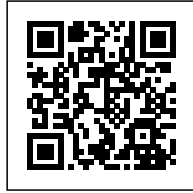
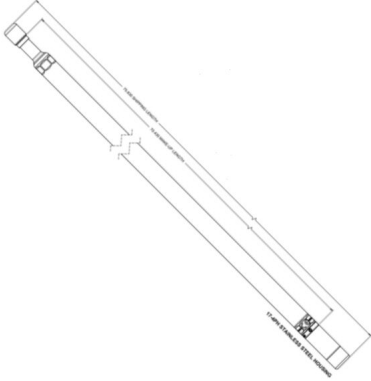


## MEMORY BATTERY SUB - HD - 1 11/16 IN.



SKU: MBS006

Categories: [Cased Hole Wireline](#), [HD Platform™](#), [Memory](#)

## PRODUCT DESCRIPTION

The Memory Battery Sub (MBS006) is used specifically for the memory RAS (RAS002) logging applications. The tool houses the battery pack.

### Ratings & Dimensions

<b>Diameter</b>	1.69 in (43.0 mm)
<b>Max temperature</b>	320°F (160°C)
<b>Max pressure</b>	15,000 psi (103.4 mPa)
<b>Materials</b>	Corrosion resistant materials used throughout

### Hardware Characteristics

<b>Combinability</b>	RAS only
<b>Upper Connection</b>	<sup>15</sup> / <sub>16</sub> " UN thread

### Electrical Specifications

<b>Battery pack</b>	15 x CC cell
<b>Nominal</b>	58.5 V for a 50 V operating voltage
<b>Cell voltage</b>	3.9 V
<b>Chemistry</b>	Lithium Sulfuryl Chloride
<b>Discharge</b>	3% per year at 77°F (25°C)
<b>Temperature Range</b>	-4°F to 320°F (-20°C to 160°C)

\* Temperature range is determined by the battery pack. Typical battery packs are rated between -4°F to 320°F (-20°C to 160°C).

Version Control: 2021.11.11



---

***On-line specifications are for REFERENCE ONLY and subject to change without notice. DO NOT USE FOR FIELD OPERATIONS.***