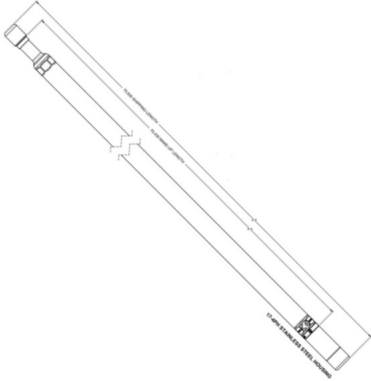


MBS006 MEMORY BATTERY SUB 1 11/16"

The MBS006 is designed specifically for Memory RAS logging applications.



SKU: MBS006

Category: [Production Logging](#)

PRODUCT DESCRIPTION

The MBS006 is designed specifically for Memory RAS logging applications.

The MBS006 hosts a 15 x CC Cell battery pack which will provide sufficient power for all Pulsed Neutron Logging operations at the RAS002's rated temperature of 160°C.

Please note that specifications for this item may change without notice.

Applications / Features

- RAS Logging on memory

Total Output Voltage	Nominal 58.5 V for a 50V operating voltage
Number of cells	15
Cell Voltage	3.9V
Chemistry	Lithium Sulfuryl Chloride
Temperature Range	-20°C to 160°C
Self Discharge	3% per year at 25°C

*** Battery is not included.**