

Ancillary Catalog

-
- Sinker Bars
 - Centralizers
 - Cableheads
 - Shock Absorbers
 - Crossover Subs



Product List

1	SINKER BARS	5' AND 7' SINKER BAR ASSEMBLIES
2	0625-TD-PC	5/8" TEAR DROP W/ PRESSURE CONNECTOR
3	0625-TD	5/8" TEAR DROP ASSEMBLY
4	0625-SB	5/8" SINKER BAR ASSEMBLIES
5	0625-GBP	5/8" GROUNDING BULL PLUG
6	0625-DP	5/8" DOUBLE PIN
7	0625-DB	5/8" DOUBLE BOX
8	0625-CH	5/8" CABLEHEAD ASSEMBLY
9	0687-TD-PC	11/16" TEAR DROP W/ PRESSURE CONNECTOR
10	0687-TD	11/16" TEAR DROP ASSEMBLY
11	0687-SB	11/16" SINKER BAR ASSEMBLY
12	0687-GBP	11/16" GROUNDING BULL PLUG
13	0687-DP	11/16" DOUBLE PIN
14	0687-DB	11/16" DOUBLE BOX
15	0687-CH	11/16" CABLEHEAD ASSEMBLY
16	0750-TD-PC	3/4" GO TEAR DROP W/ PRESSURE CONNECTOR
17	0750-TD	3/4" GO TEAR DROP ASSEMBLY
18	0750-DP	3/4" GO DOUBLE PIN
19	0750-DB	3/4" GO DOUBLE BOX
20	0750-CH	3/4" CABLEHEAD ASSEMBLY
21	0750-ASY-020	3/4" GO BOX / 11/16" PIN
22	0750-ASY-019	3/4" GO PIN / 11/16" PIN
23	0750-ASY-018	3/4" GO PIN / 11/16" BOX
24	0750-ASY-013	3/4" GO TEAR DROP / 11/16" PIN
25	100-TD-PC	1" GO TEAR DROP W/ PRESSURE CONNECTOR
26	100-TD-GB	1" GO TEAR DROP / 1" GO BOX
27	100-TD-DS	1" GO DOUBLE SEALED TEAR DROP
28	100-TD	1" GO TEAR DROP
29	100-SB-STEEL	1" GO STEEL SINKER BAR ASSEMBLY
30	100-GBP	1" GROUNDING BULL PLUG
31	100-FS	1" GO FIRING SUB
32	100-DP	1" GO DOUBLE PIN
33	100-DB	1" GO DOUBLE BOX
34	100-CH	1" GO CABLEHEAD ASSEMBLY
35	1375-DB	1 3/8" GO DOUBLE BOX
36	1375-CH-GO-SPLIT	1 3/8" GO SPLIT CABLEHEAD ASSEMBLY
37	1375-CH-GO	1 3/8" GO CABLEHEAD ASSEMBLY
38	1375-CH	1 3/8" ROPE SOCKET CABLEHEAD ASSEMBLY
39	1375-TD-GB	1 3/8" GO TEAR DROP / GO BOX
40	1375-TD-DS	1 3/8" GO DOUBLE SEALED TEAR DROP
41	1375-TD	1 3/8" GO TEAR DROP
42	1375-DP	1 3/8" GO DOUBLE PIN
42A	1375-CENT	1 3/8" BOW SPRING CENTRALIZER

43	1437-TD-GB	1 7/16" GO TEAR DROP / GO BOX
44	1437-TD-DS	1 7/16" GO DOUBLE SEALED TEAR DROP
45	1437-TD	1 7/16" GO TEAR DROP
46	SUCKER ROD	SUCKER ROD CROSSOVERS
47	1437-DP	1 7/16" GO DOUBLE PIN
48	1437-DB	1 7/16" GO DOUBLE BOX
49	1437-CH-OTL	1 7/16" OVER THE LINE CONNECTORS
50	1437-CH-GO-SPLIT	1 7/16" GO SPLIT CABLEHEAD ASSEMBLY
51	1437-CH-GO	1 7/16" GO CABLEHEAD ASSEMBLY
52	1437-CH	1 7/16" ROPE SOCKET CABLEHEAD ASSEMBLY
53	1500-FS-HP	1 1/2" GO HIGH PRESSURE FIRING SUB
54	1500-FS	1 1/2" GO LOW PRESSURE FIRING SUB
55	1625-CENT-FP	1 5/8" FREEPOINT BOW SPRING CENTRALIZER
56	1687-TD-GB	1 11/16" GO TEAR DROP / GO BOX
57	1687-TD-DS	1 11/16" GO DOUBLE SEALED TEAR DROP
58	1687-TD	1 11/16" GO TEAR DROP
59	1687-DP	1 11/16" GO DOUBLE PIN
60	1687-DB	1 11/16" GO DOUBLE BOX
61	1687-CH-OTL	1 11/16" OVER THE LINE CONNECTORS
62	1687-CH-GO-SPLIT	1 11/16" GO SPLIT CABLEHEAD ASSEMBLY
63	1687-CH-GO	1 11/16" GO CABLEHEAD ASSEMBLY
64	1687-CH	1 11/16" ROPE SOCKET CABLEHEAD ASSEMBLY
65	1687-SHOCK	1 11/16" SHOCK ABSORBER
66	1687-NA-CENT-SR	1 11/16" NON ADJUSTABLE CENTRALIZER, SUCKER ROD
67	1687-NA-CENT-SHORT	1 11/16" NON ADJUSTABLE CENTRALIZER, SHORT VERSION
68	1687-NA-CENT	1 11/16" NON ADJUSTABLE CENTRALIZER
69	1687-BS-CENT	1 11/16" BOW SPRING CENTRALIZER, ANCHORED
70	1687-CENT-EXT	1 11/16" BOW SPRING CENTRALIZER, EXTENDED VERSION
71	1687-CENT-EXT	1 11/16" BOW SPRING CENTRALIZER
72	2250-ROLLER-CENT	2 1/4" ROLLER CENTRALIZER
73	2250-CENT	2 1/4" BOW SPRING CENTRALIZER
74	2750-SHOCK	2 3/4" SHOCK ABSORBER
75	2750-ROLLER-CENT	2 3/4" ROLLER CENTRALIZER
76	2750-CENT	2 3/4" BOW SPRING CENTRALIZER
77	2750-SWIVEL	2 3/4" CONTACT SWIVEL
78	3125-SHOCK	3 1/8" SHOCK ABSORBER
79	3125-CENT	3 1/8" BOW SPRING CENTRALIZER
80	3250-GO-QC	3 1/4" GO QUICK CHANGE
81	3250-10-BFH-QC-GO	#10 BAKER FIRING HEAD TO GO QUICK CHANGE, GO IGNITER
82	3250-10BFH-QC	#10 BAKER FIRING HEAD TO GO QUICK CHANGE, BAKER IGNITER
83	3500-20-BFH-QC-GO	#20 BAKER FIRING HEAD TO GO QUICK CHANGE, GO IGNITER
84	3500-20-BFH-QC-GO	#20 BAKER FIRING HEAD TO GO QUICK CHANGE, BAKER IGNITER

STEEL BARS

REF:	PART NO.	DESCRIPTION	WEIGHT
1	1375-SB-STEEL-5	1 3/8" x 5'-0" STEEL SINKER BAR ASSY.	23 LBS
	1375-000-043	1 3/8" x 5'-0" STEEL SINKER BAR BODY	
	1437-SB-STEEL-5	1 7/16" x 5'-0" STEEL SINKER BAR ASSY.	23 LBS
	1437-000-016	1 7/16" x 5'-0" STEEL SINKER BAR BODY	
	1687-SB-STEEL-5	1 11/16" x 5'-0" STEEL SINKER BAR ASSY.	36 LBS
	1687-000-047	1 11/16" x 5'-0" STEEL SINKER BAR BODY	
	1687-SB-STEEL-7	1 11/16" x 7'-0" STEEL SINKER BAR ASSY.	50 LBS
	1687-000-076	1 11/16" x 7'-0" STEEL SINKER BAR BODY	
	200-SB-STEEL-7	2" x 7'-0" STEEL SINKER BAR ASSY.	73 LBS
	200-000-018	2" x 7'-0" STEEL SINKER BAR BODY	

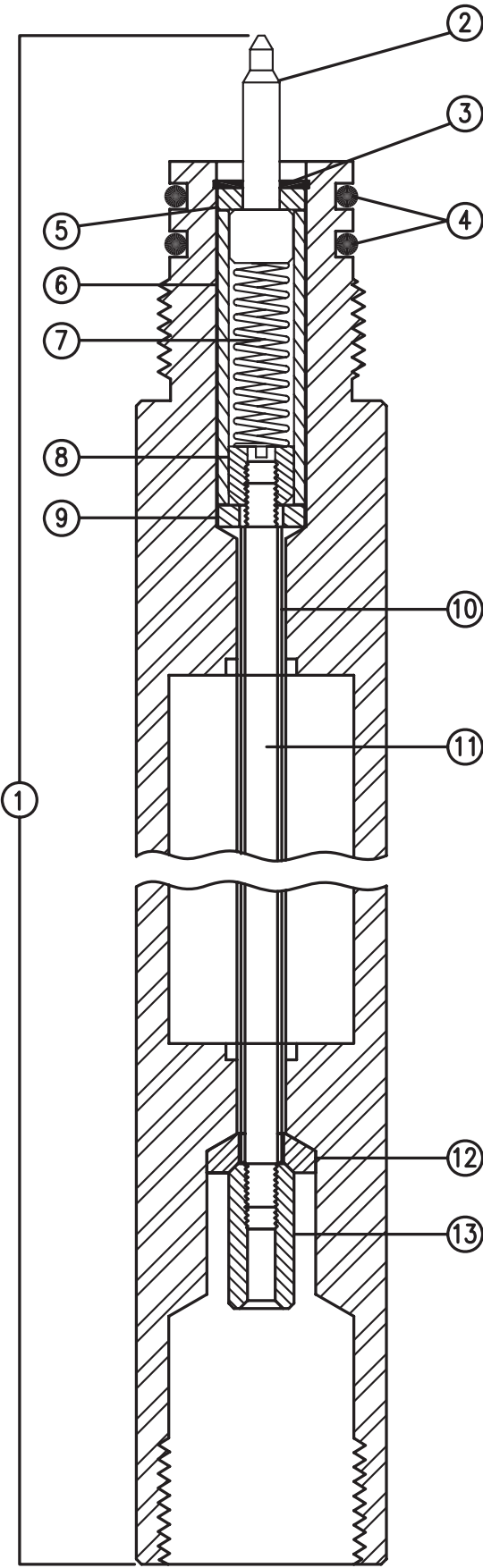
TUNGSTEN BARS

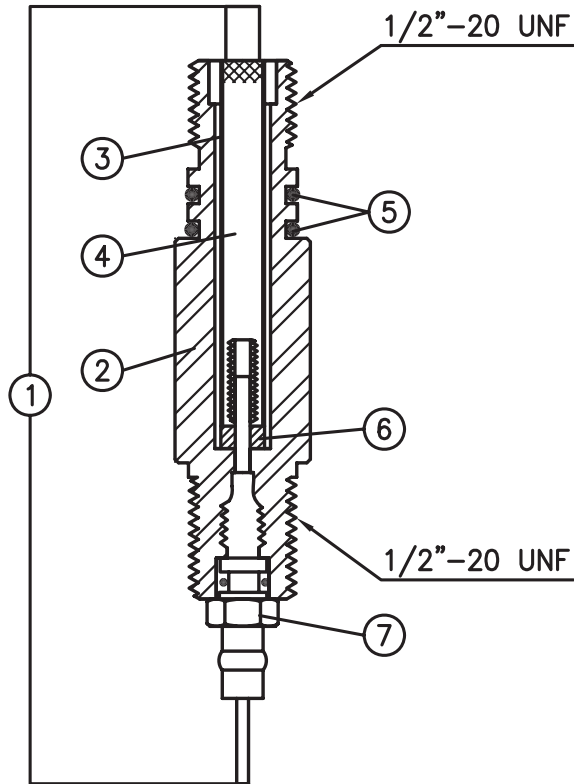
1	1437-SB-TNG-5	1 7/16" x 5'-0" TUNGSTEN SINKER BAR ASSY.	42 LBS
	1437-SB-TNG-7	1 7/16" x 7'-0" TUNGSTEN SINKER BAR ASSY.	57 LBS
	1687-SB-TNG-5	1 11/16" x 5'-0" TUNGSTEN SINKER BAR ASSY.	60 LBS
	1687-SB-TNG-7	1 11/16" x 7'-0" TUNGSTEN SINKER BAR ASSY.	85 LBS
	200-SB-TNG-5	2" x 5'-0" TUNGSTEN SINKER BAR ASSY.	89 LBS
	200-SB-TNG-7	2" x 7'-0" TUNGSTEN SINKER BAR ASSY.	122 LBS

LEAD BARS

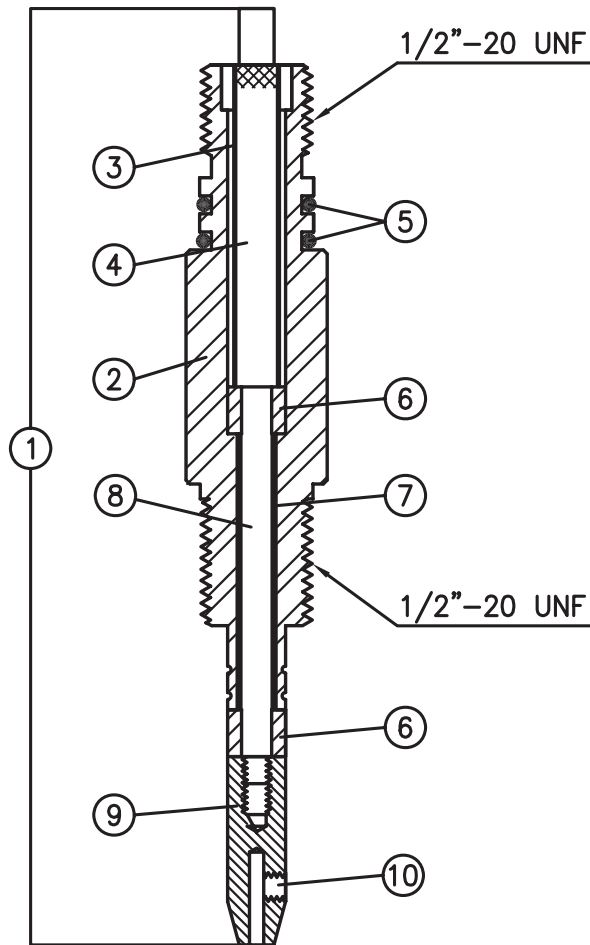
1	1437-SB-LEAD-5	1 7/16" x 5'-0" LEAD SINKER BAR ASSY.	32 LBS
	1437-SB-LEAD-7	1 7/16" x 7'-0" LEAD SINKER BAR ASSY.	45 LBS
	1687-SB-LEAD-5	1 11/16" x 5'-0" LEAD SINKER BAR ASSY.	45 LBS
	1687-SB-LEAD-7	1 11/16" x 7'-0" LEAD SINKER BAR ASSY.	63 LBS
	200-SB-LEAD-5	2" x 5'-0" LEAD SINKER BAR ASSY.	66 LBS
	200-SB-LEAD-7	2" x 7'-0" LEAD SINKER BAR ASSY.	94 LBS

2	CON-000-001	GO PIN CONTACT PLUNGER
3	RET-001	.515 INTERNAL RETAINER RING
4	ORING-C67-211	211 O-RING C-67
5	INS-000-004	GO PIN INSULATING WASHER
6	INS-000-005	GO PIN CONTACT INSULATOR
7	SPR-000-004	GO PIN COMPRESSION SPRING
8	CON-000-002	GO PIN CONTACT
9	INS-000-003	GO PIN CONTACT INSULATING WASHER
10	INS-000-008	TEFLON INSULATING SLEEVE
11	ROD-1032-54.500	10-32 CONTACT ROD x 54.500 (5'-0" BAR)
	ROD-1032-81.500	10-32 CONTACT ROD x 81.500 (7'-0" BAR)
12	INS-000-032	GO BOX INSULATING WASHER
13	CON-000-007	GO BOX CONTACT



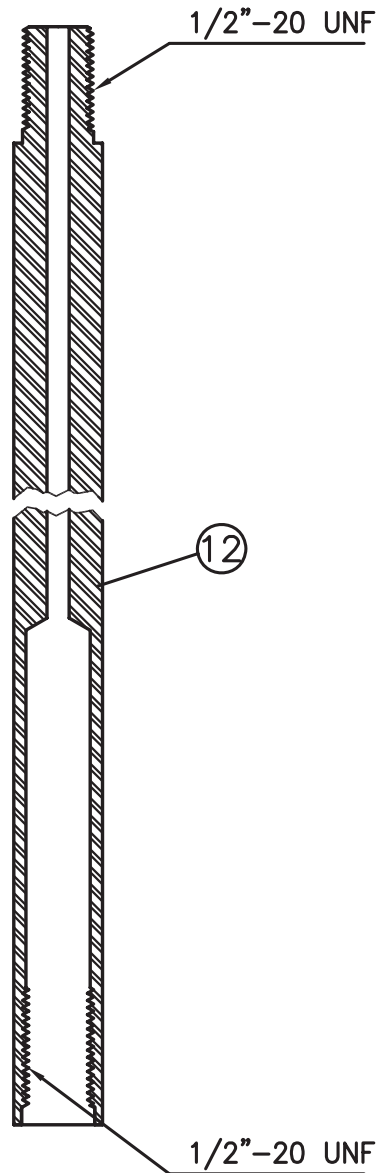
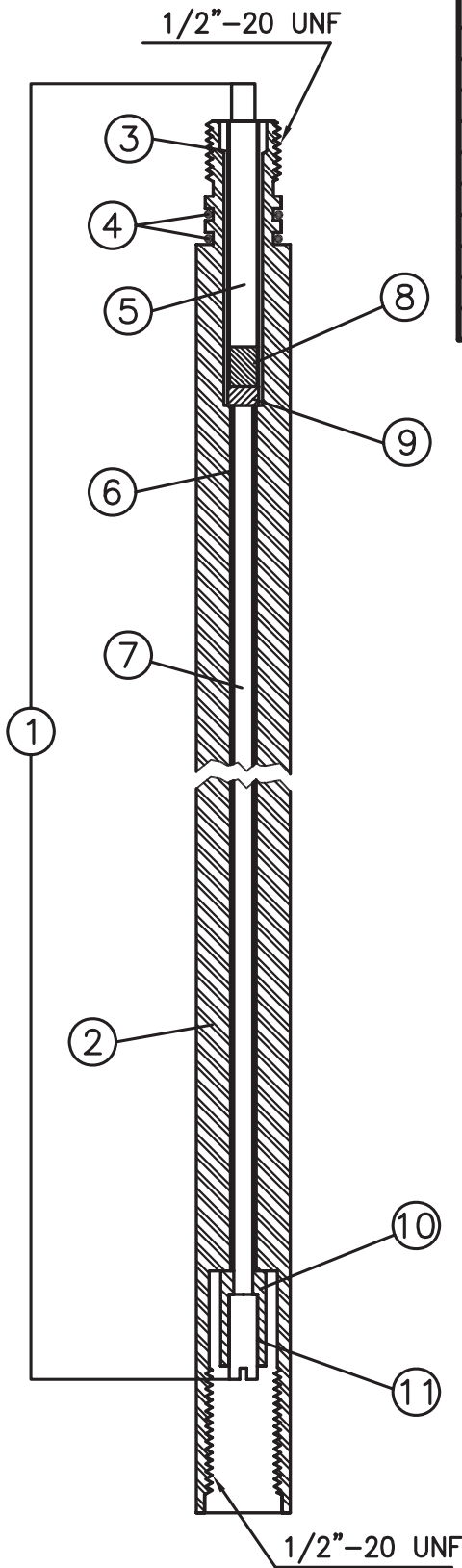


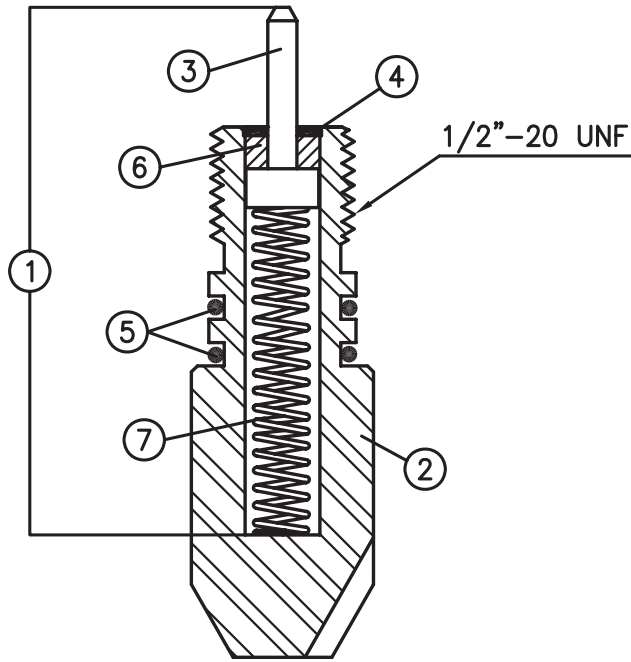
NO.	PART #	DESCRIPTION
1	KIT-0625-002	Complete Kit Assembly
2	0625-000-002	Tear Drop Sub w/ Pressure Connect
3	INS-000-008	Teflon Insulating Sleeve
4	CON-000-059	Spring Loaded Contact
5	ORING-C67-012	012 O-Ring C-67
6	INS-000-078	Contact Insulator
7	CON-000-055	PRESSURE CONNECTOR



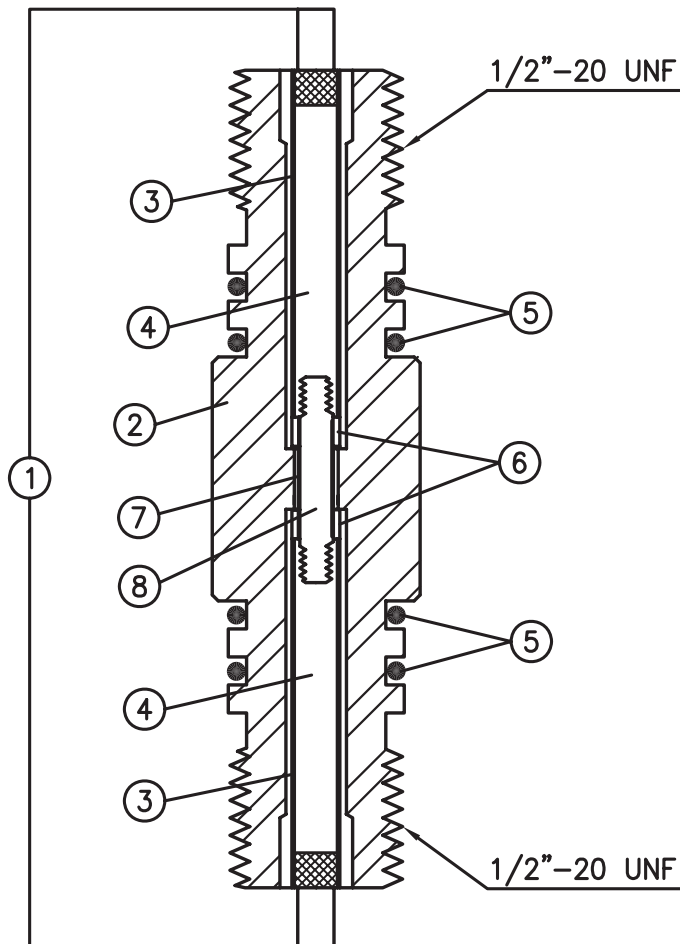
NO.	PART #	DESCRIPTION
1	KIT-0625-001	Complete Kit Assembly
2	0625-000-001	Tear Drop Sub w/ Wet Connect
3	INS-000-008	Teflon Insulating Sleeve
4	CON-000-059	Spring Loaded Contact
5	ORING-C67-012	012 O-Ring C-67
6	INS-000-028	1/4" Insulating Washer
7	INS-000-077	Teflon Insulating Sleeve
8	CON-000-064	6-32 To 4-40 Contact Rod
9	CON-000-063	11/16" Cone Nut
10		4-40 x 1/8" Socket Set Screw

NO.	PART #	DESCRIPTION
1	KIT-0625-011	Complete Kit Assembly
2	0625-000-011	5/8" Sinker Bar Body (3 FT.)
3	INS-000-008	Teflon Insulating Sleeve
4	ORING-C67-012	012 O-Ring C-67
5	CON-000-059	Spring Loaded Contact
6	INS-000-076	Teflon Insulating Sleeve
7	ROD-440-33.875	4-40 Contact Rod x 33.875
8	CON-000-062	Crossover Contact
9	INS-000-028	1/4" Insulating Washer
10	INS-000-075	Contact Insulator
11	CON-000-061	Contact Receptacle
12	0625-000-010	5/8" Sinker Bar Body (2 1/2 FT. No Contact)

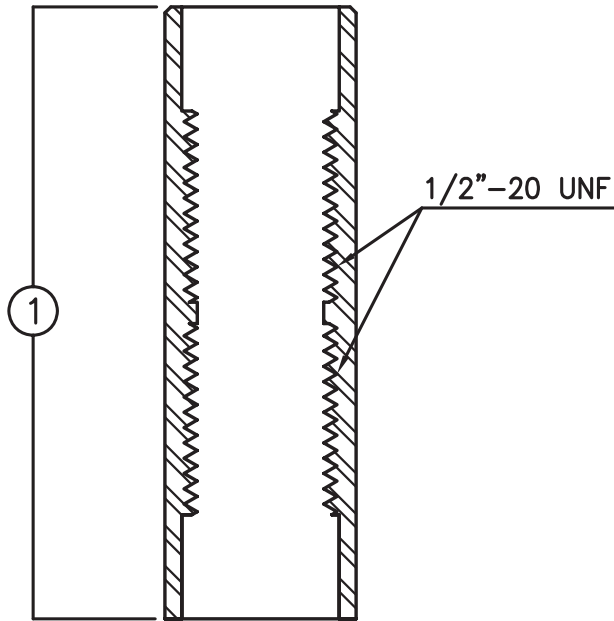




NO.	PART #	DESCRIPTION
1	KIT-0625-003	Complete Kit Assembly
2	0625-000-003	5/8" Grounding Bull Plug
3	CON-000-066	Brass Contact Plunger
4	RET-005	1/4" Internal Retainer Ring
5	ORING-C67-012	012 O-Ring C-67
6	CON-000-065	5/8" Brass Washer
7	SPR-000-025	Contact Spring

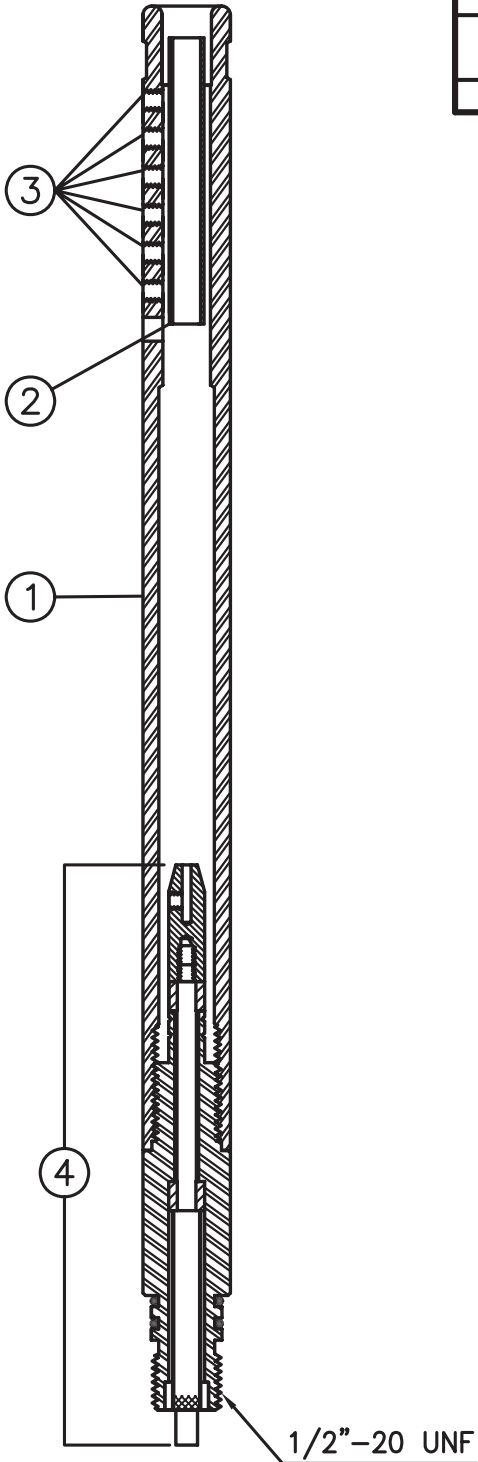


NO.	PART #	DESCRIPTION
1	KIT-0625-005	Complete Kit Assembly
2	0625-000-005	5/8" Double Pin Sub
3	INS-000-008	Teflon Insulating Sleeve
4	CON-000-059	Spring Loaded Contact
5	ORING-C67-012	012 O-Ring C-67
6	INS-000-028	1/4" Insulating Washer
7	INS-000-077	Teflon Insulating Sleeve
8	ROD-632-1.050	6-32 Contact Rod x 1.050



NO.	PART #	DESCRIPTION
1	0625-000-004	5/8" Double Box Sub

NO.	PART #	DESCRIPTION
* 1	0625-000-008	5/8" Cablehead Body (5/16" Line)
	0625-000-009	5/8" Cablehead Body (7/32" Line)
* 2	0625-000-006	5/8" Clamp Tube (5/16" Line)
	0625-000-007	5/8" Clamp Tube (7/32" Line)
3		10-32 x 3/16" Set Screw for 5/16" Line
		10-32 x 1/4" Set Screw for 7/32" Line
4	0625-000-001	5/8" Teardrop Sub w/ Wet Connect



* SPECIFY LINE SIZE WHEN ORDERING

* ASSY #: 0625-CH

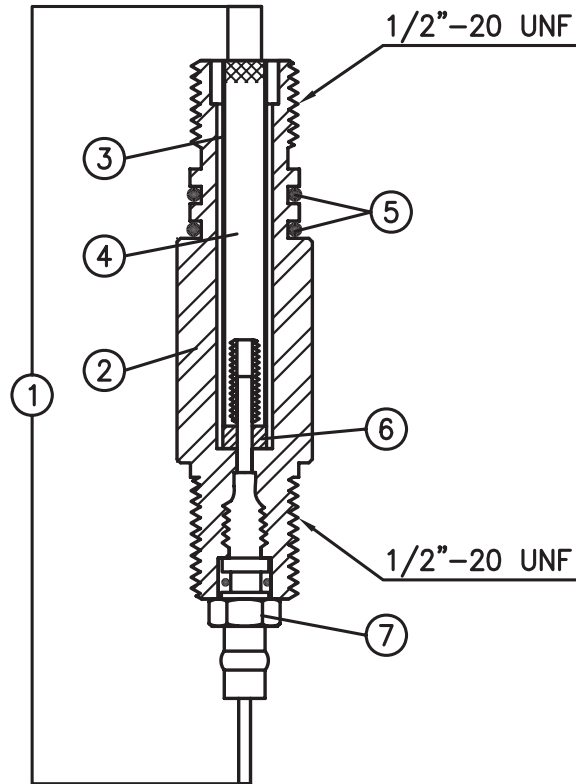
8



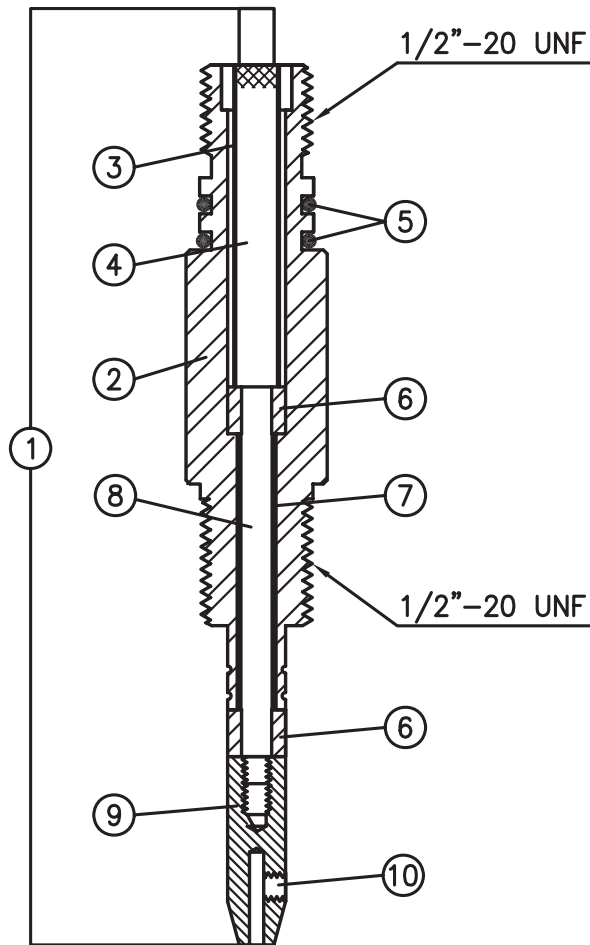
www.probe1.com

24/7 Sales and Support +1 (817) 568 8528

5/8" CABLEHEAD ASSY.



NO.	PART #	DESCRIPTION
1	KIT-0687-004	Complete Kit Assembly
2	0625-000-004	Tear Drop Sub w/ Pressure Connect
3	INS-000-008	Teflon Insulating Sleeve
4	CON-000-059	Spring Loaded Contact
5	ORING-C67-012	012 O-Ring C-67
6	INS-000-078	Contact Insulator
7	CON-000-055	PRESSURE CONNECTOR



NO.	PART #	DESCRIPTION
1	KIT-0687-003	Complete Kit Assembly
2	0687-000-003	Tear Drop Sub w/ Wet Connect
3	INS-000-008	Teflon Insulating Sleeve
4	CON-000-059	Spring Loaded Contact
5	ORING-C67-012	012 O-Ring C-67
6	INS-000-028	1/4" Insulating Washer
7	INS-000-077	Teflon Insulating Sleeve
8	CON-000-064	6-32 To 4-40 Contact Rod
9	CON-000-063	11/16" Cone Nut
10		4-40 x 1/8" Socket Set Screw

10

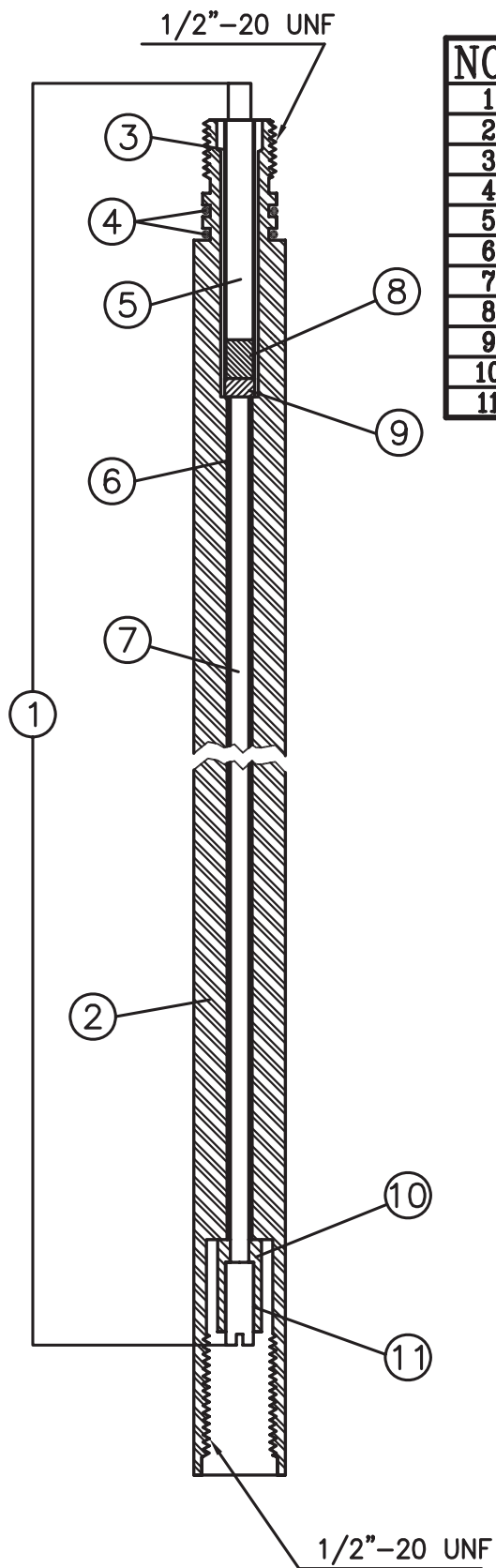
ASSY #: 0687-TD



www.probe1.com

24/7 Sales and Support +1 (817) 568 8528

11/16" TEAR DROP W/ WET CONNECT



NO.	PART #	DESCRIPTION
1	KIT-0625-001	Complete Kit Assembly
2	0687-000-010	11/16" Sinker Bar Body (3 FT.)
3	INS-000-008	Teflon Insulating Sleeve
4	ORING-C67-012	012 O-Ring C-67
5	CON-000-059	Spring Loaded Contact
6	INS-000-076	Teflon Insulating Sleeve
7	ROD-440-33.875	4-40 Contact Rod x 33.875
8	CON-000-062	Crossover Contact
9	INS-000-028	1/4" Insulating Washer
10	INS-000-075	Contact Insulator
11	CON-000-061	4-40 Contact Receptacle

11

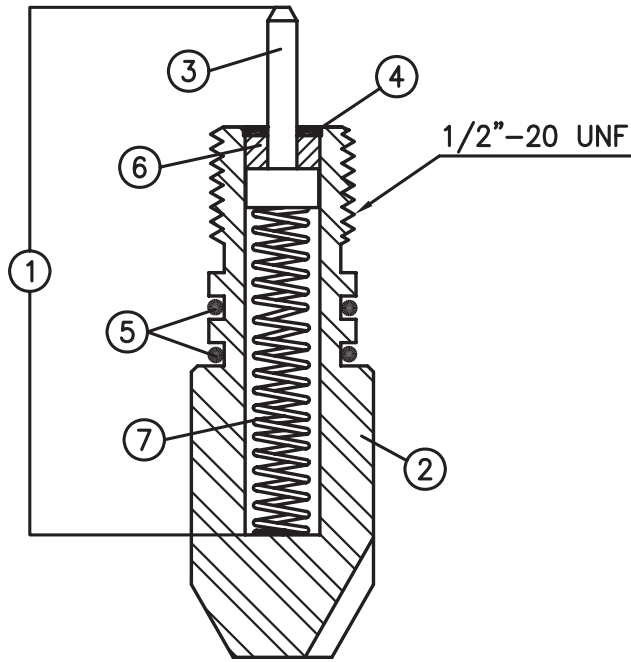
ASSY #: 0687-SB

Probe

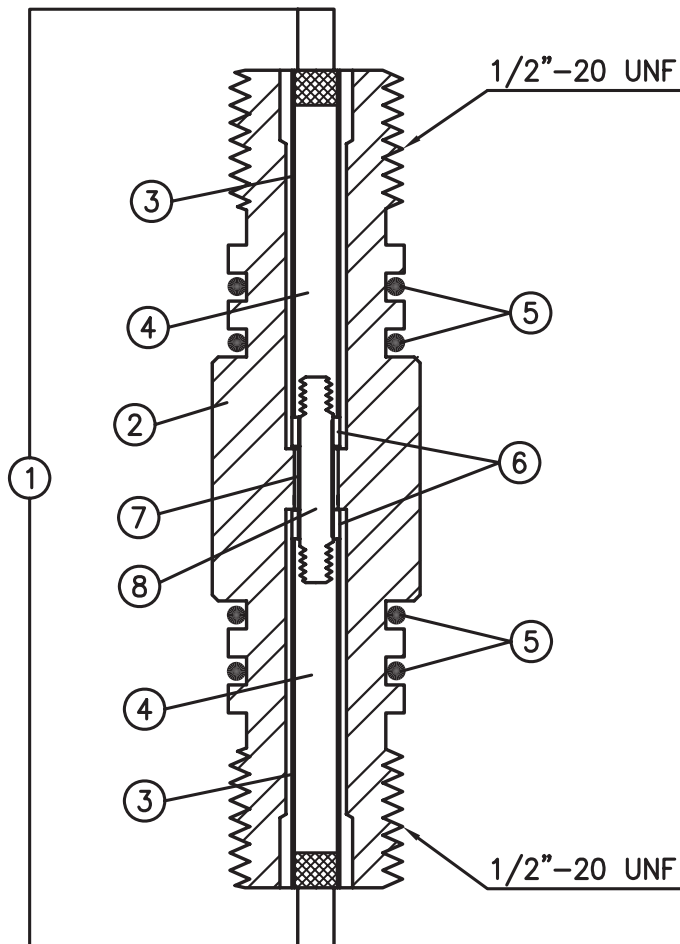
www.probe1.com

24/7 Sales and Support +1 (817) 568 8528

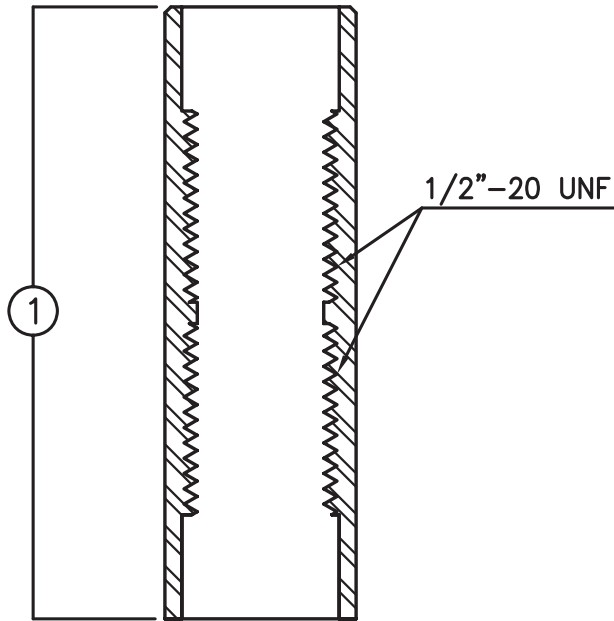
11/16" SINKER BAR (3FT. / CONTACT)



NO.	PART #	DESCRIPTION
1	KIT-0687-005	Complete Kit Assembly
2	0687-000-005	11/16" Grounding Bull Plug
3	CON-000-066	Brass Contact Plunger
4	RET-005	1/4" Internal Retainer Ring
5	ORING-C67-012	012 O-Ring C-67
6	CON-000-065	5/8" Brass Washer
7	SPR-000-025	Contact Spring

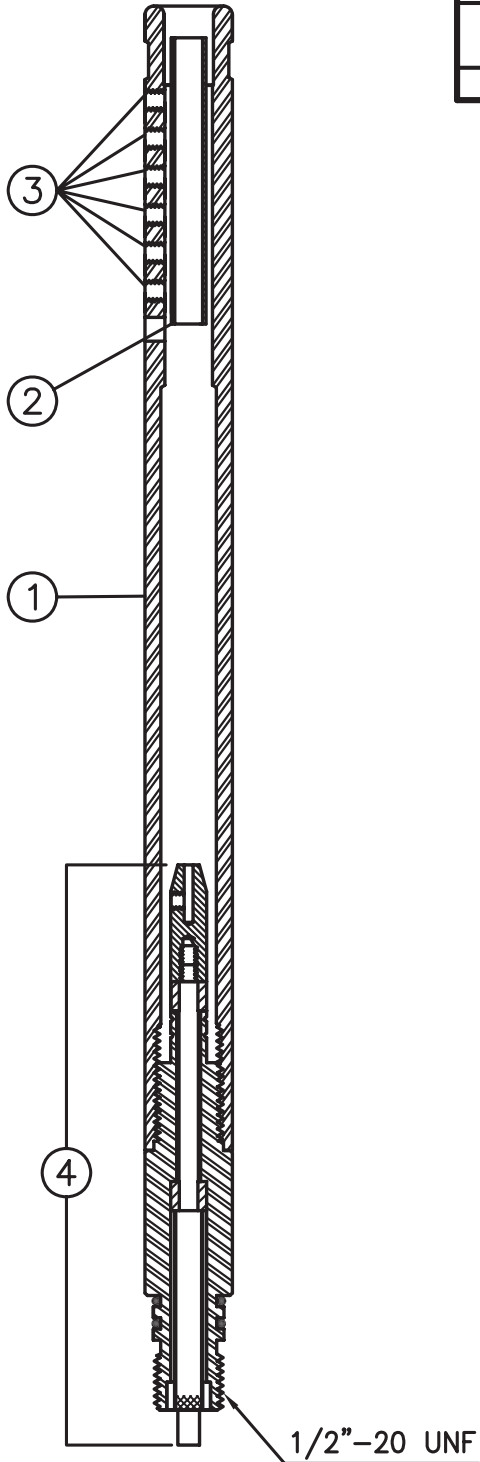


NO.	PART #	DESCRIPTION
1	KIT-0687-007	Complete Kit Assembly
2	0687-000-007	11/16" Double Pin Sub
3	INS-000-008	Teflon Insulating Sleeve
4	CON-000-059	Spring Loaded Contact
5	ORING-C67-012	012 O-Ring C-67
6	INS-000-028	1/4" Insulating Washer
7	INS-000-077	Teflon Insulating Sleeve
8	ROD-632-1.050	6-32 Contact Rod x 1.050



NO.	PART #	DESCRIPTION
1	0687-000-006	11/16" Double Box Sub

NO.	PART #	DESCRIPTION
* 1	0687-000-008	11/16" Cablehead Body (5/16" Line)
	0687-000-009	11/16" Cablehead Body (7/32" Line)
* 2	0625-000-006	5/8" Clamp Tube (5/16" Line)
	0625-000-007	5/8" Clamp Tube (7/32" Line)
3		10-32 x 3/16" Set Screw for 5/16" Line
		10-32 x 1/4" Set Screw for 7/32" Line
4	0687-000-003	11/16" Teardrop Sub w/ Wet Connect



* SPECIFY LINE SIZE WHEN ORDERING

* ASSY #: 0687-CH

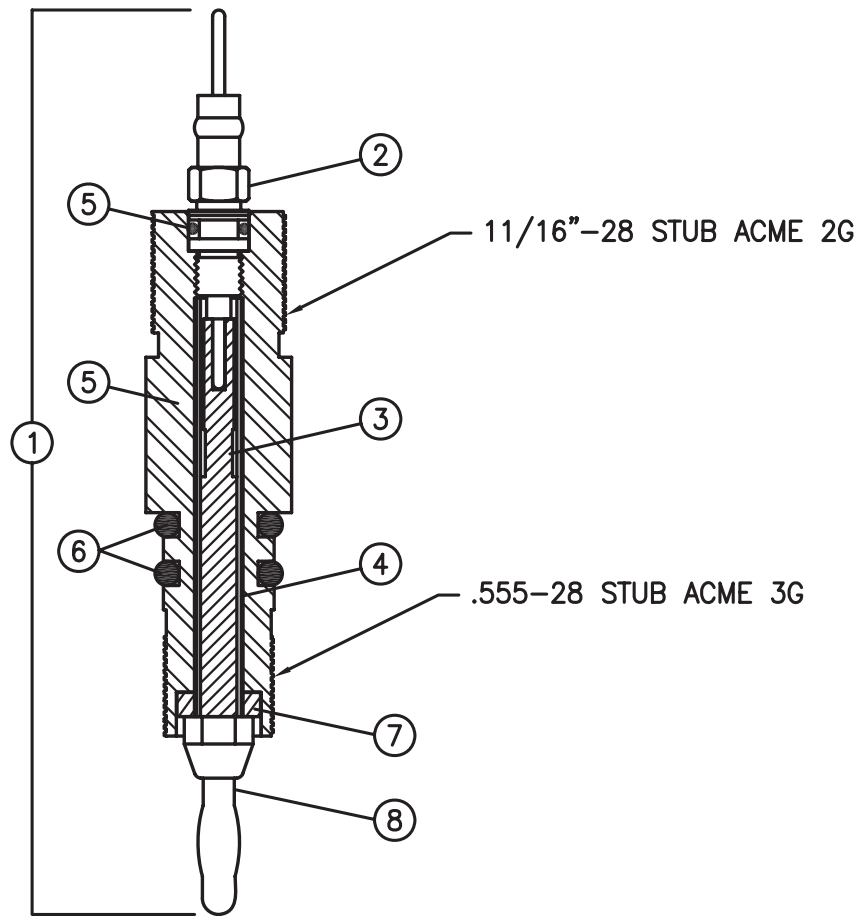
15



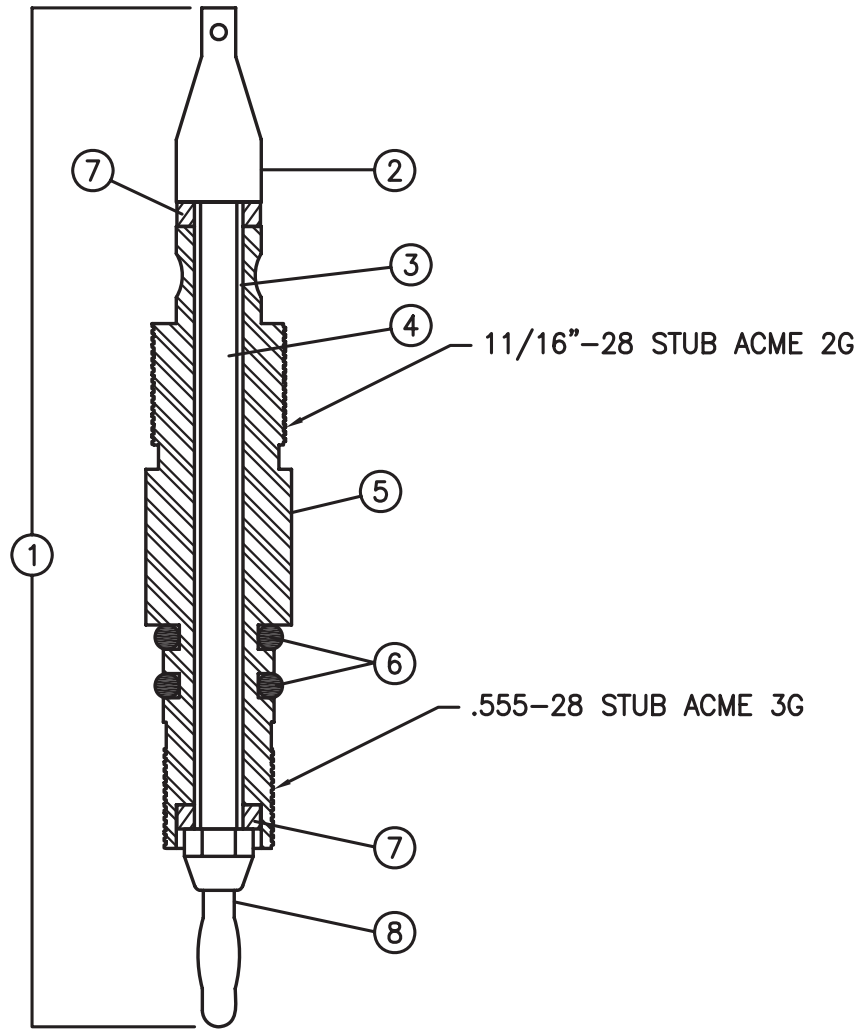
www.probe1.com

24/7 Sales and Support +1 (817) 568 8528

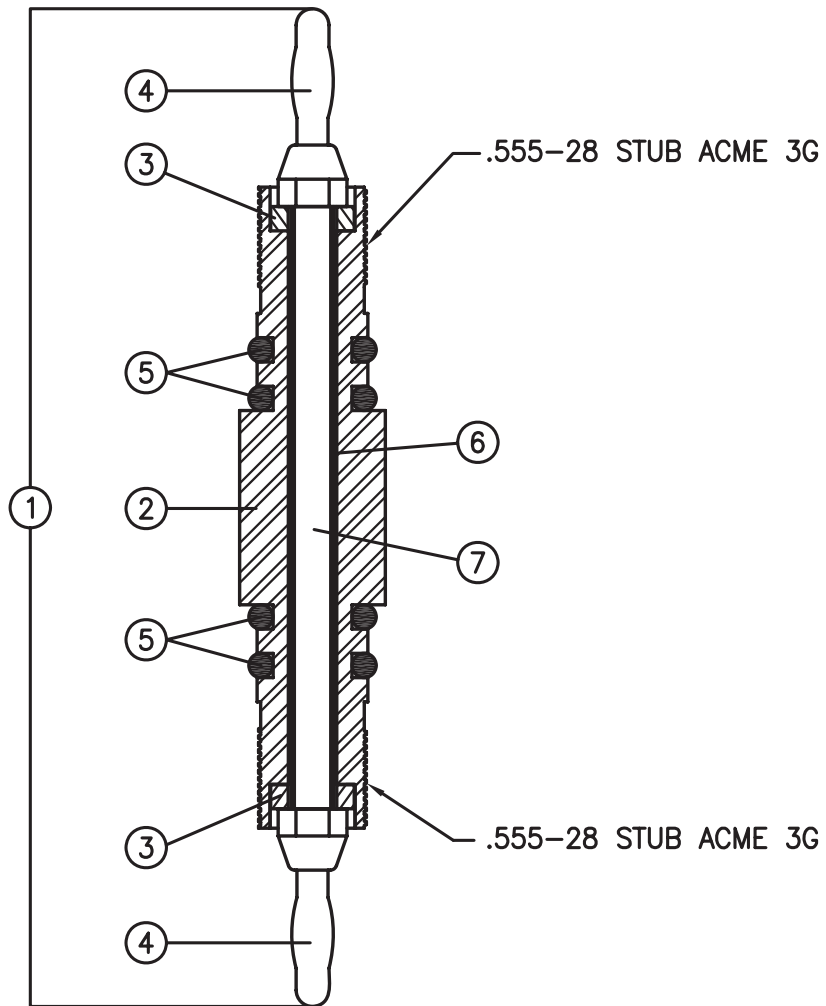
11/16" CABLEHEAD ASSY.



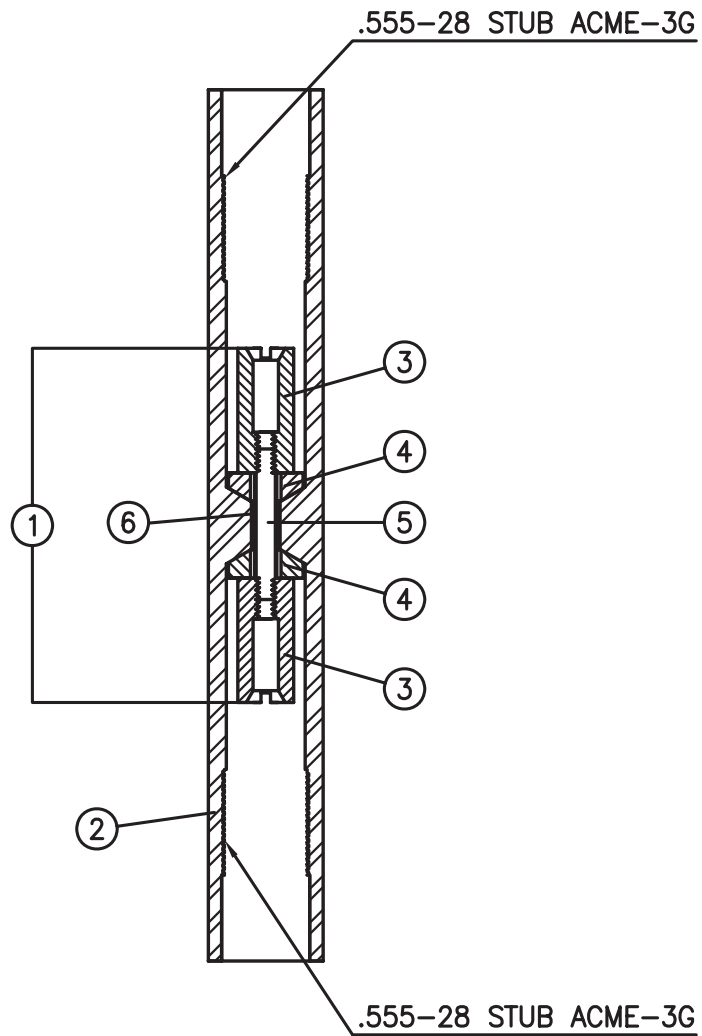
NO.	PART #	DESCRIPTION
1	KIT-0750-004	Complete Kit Assembly
2	CON-000-055	Pressure Connector
3	CON-000-057	Kemlon Contact Receptacle
4	INS-000-008	Teflon Insulating Sleeve
5	0750-000-004	3/4" Go Pressure Connector T.D.
6	ORING-C67-110	110 O-Ring C-67
7	INS-000-037	Insulating Washer, 7/16"
8	BP-001	10-32 Swivel Banana Pin
9	ORING-C67-008	008 O-Ring C-67



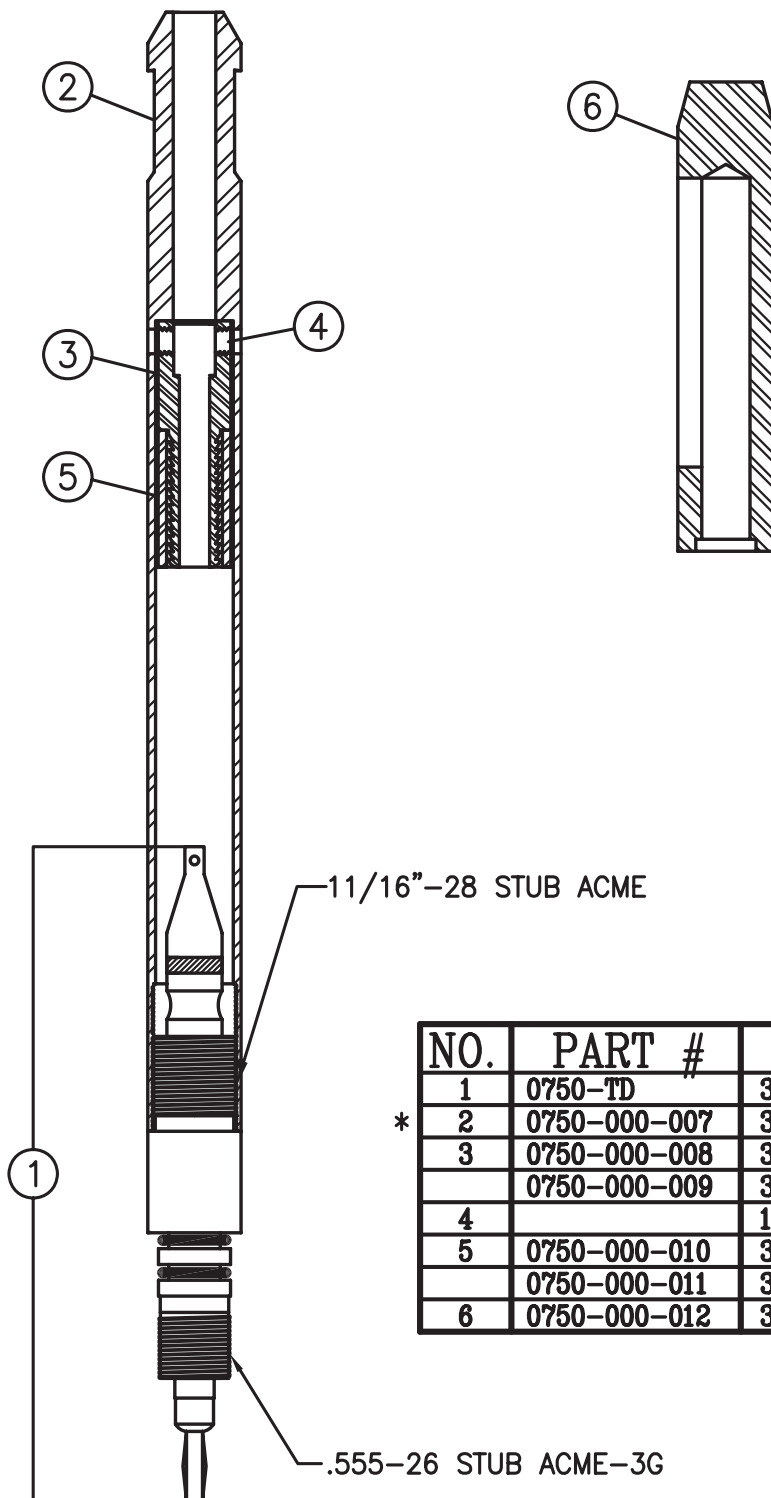
NO.	PART #	DESCRIPTION
1	KIT-0750-001	Complete Kit Assembly
2	CON-000-067	6-32 Tear Drop Cone
3	INS-000-077	Teflon Insulating Sleeve
4	ROD-632-3.625	6-32 Contact Rod x 3.625
5	0750-000-001	3/4" Go Tear Drop Sub
6	ORING-C67-110	110 O-Ring C-67
7	INS-000-038	Insulating Washer, 7/16"
8	BP-002	6-32 Swivel Banana Pin



NO.	PART #	DESCRIPTION
1	KIT-0750-006	Complete Kit Assembly
2	0750-000-006	Double Pin Sub
3	INS-000-038	Insulating Washer, 7/16"
4	BP-002	6-32 Swivel Banana Pin
5	ORING-C67-110	110 O-Ring C-67
6	INS-000-077	Teflon Insulating Sleeve
7	ROD-632-3.500	6-32 Contact Rod x 3.500



NO.	PART #	DESCRIPTION
1	KIT-0750-005	Complete Kit Assembly
2	0750-000-005	Double Box Sub
3	CON-000-069	Contact Receptacle
4	INS-000-079	Beveled Insulating Washer
5	ROD-632-1.200	6-32 Contact Rod x 1.200
6	INS-000-077	Teflon Insulating Sleeve



NO.	PART #	DESCRIPTION
1	0750-TD	3/4" Tear Drop
* 2	0750-000-007	3/4" Cablehead Body
3	0750-000-008	3/4" Rope Socket Body (5/16" Line)
	0750-000-009	3/4" Rope Socket Body (7/32" Line)
4		1/4"-28 x 1/4" Socket Set Screw
5	0750-000-010	3/4" Clamp Ring (5/16" Line)
	0750-000-011	3/4" Clamp Ring (7/32" Line)
6	0750-000-012	3/4" Rope Socket Tool

* SPECIFY LINE SIZE WHEN ORDERING

* ASSY #: 0750-CH

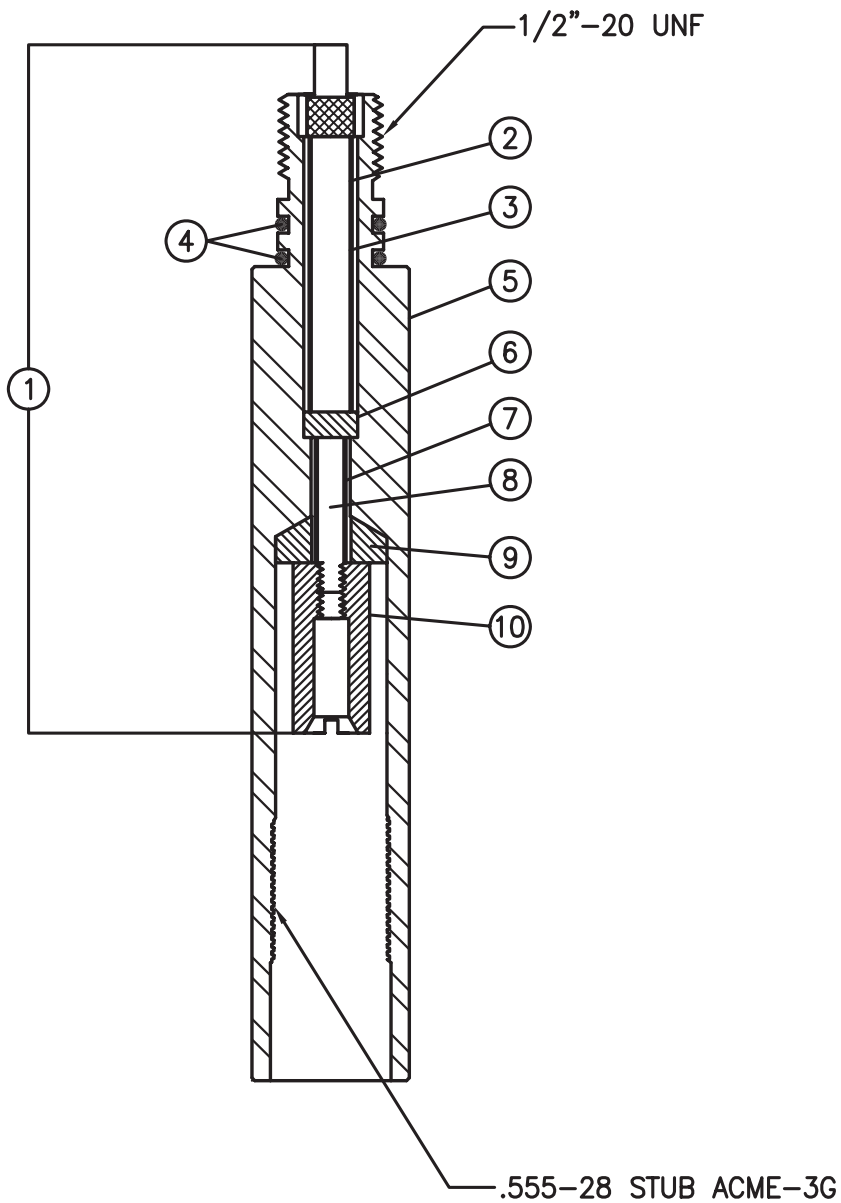
20



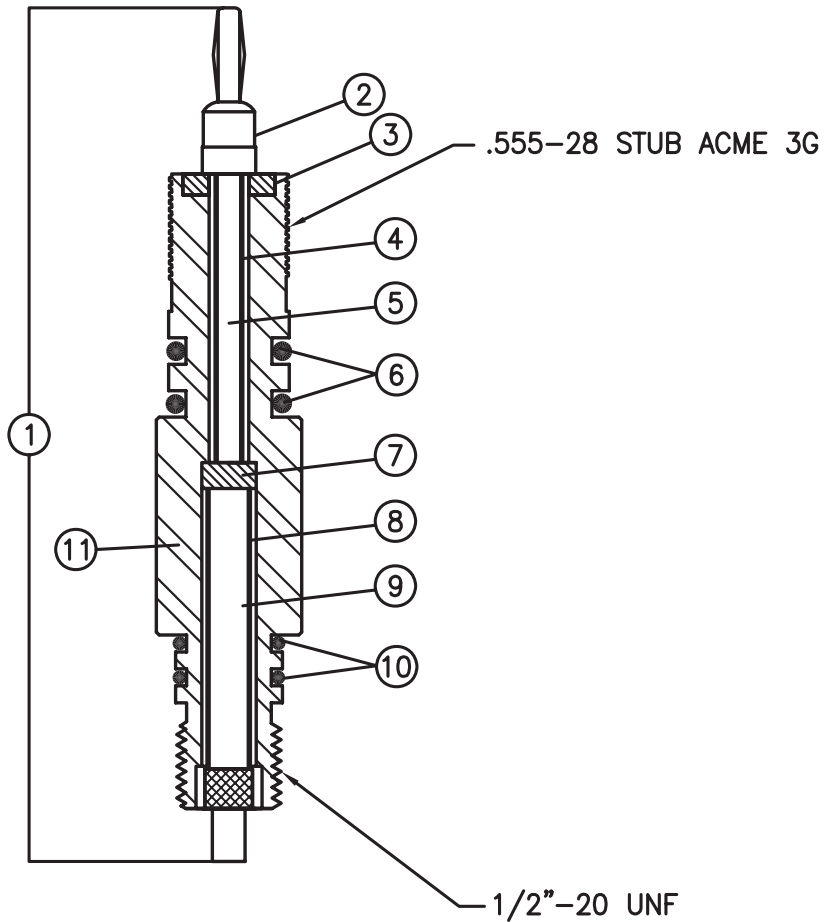
www.probe1.com

24/7 Sales and Support +1 (817) 568 8528

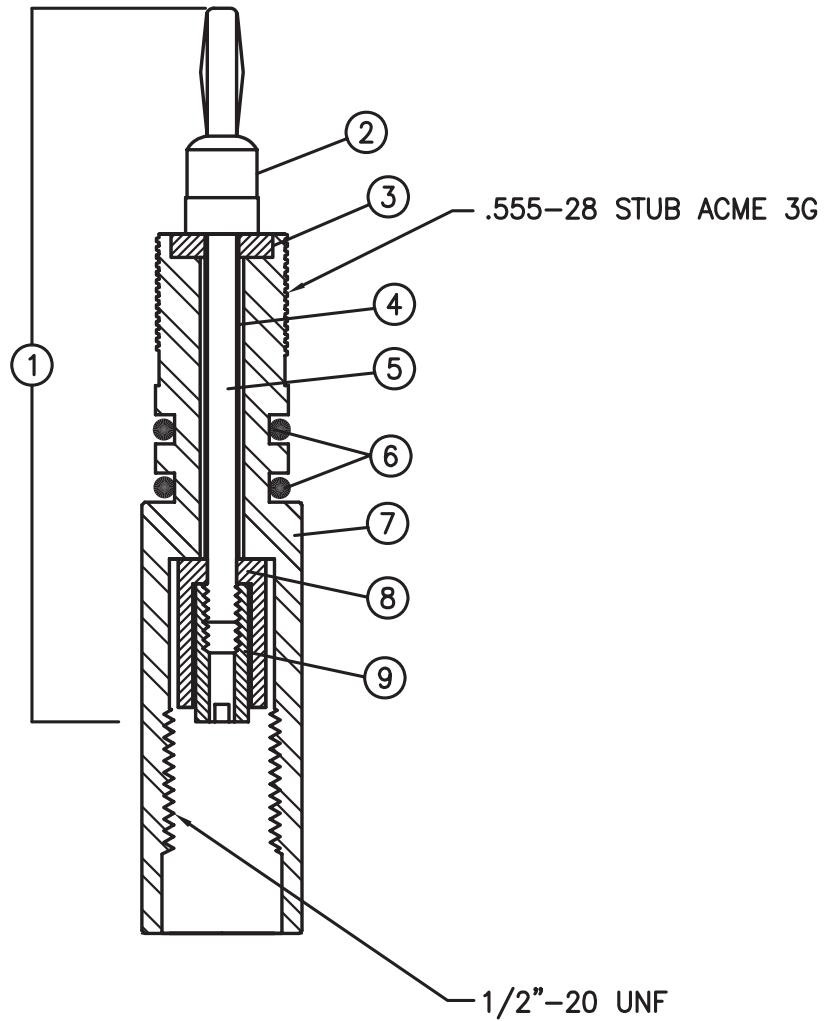
3/4" CABLEHEAD ASSY.



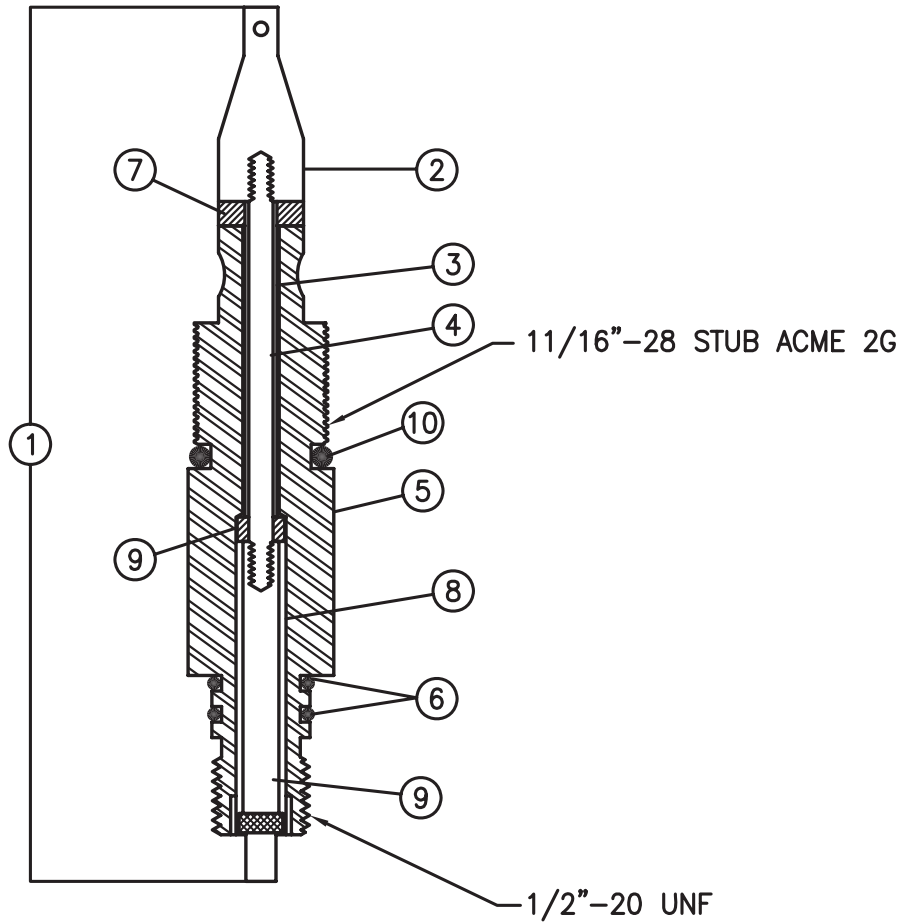
NO.	PART #	DESCRIPTION
1	KIT-0750-020	Complete Kit Assembly
2	INS-000-008	Teflon Insulating Sleeve
3	CON-000-059	Spring Loaded Contact
4	ORING-C67-012	012 O-Ring C-67
5	0750-000-020	3/4" Go Box to 11/16" Pin
6	INS-000-028	Insulating Washer, 1/4"
7	INS-000-077	Teflon Insulating Sleeve
8	ROD-632-1.125	6-32 Brass Contact Rod x 1.125
9	INS-000-079	Contact Insulator
10	CON-000-069	6-32 Contact Receptacle



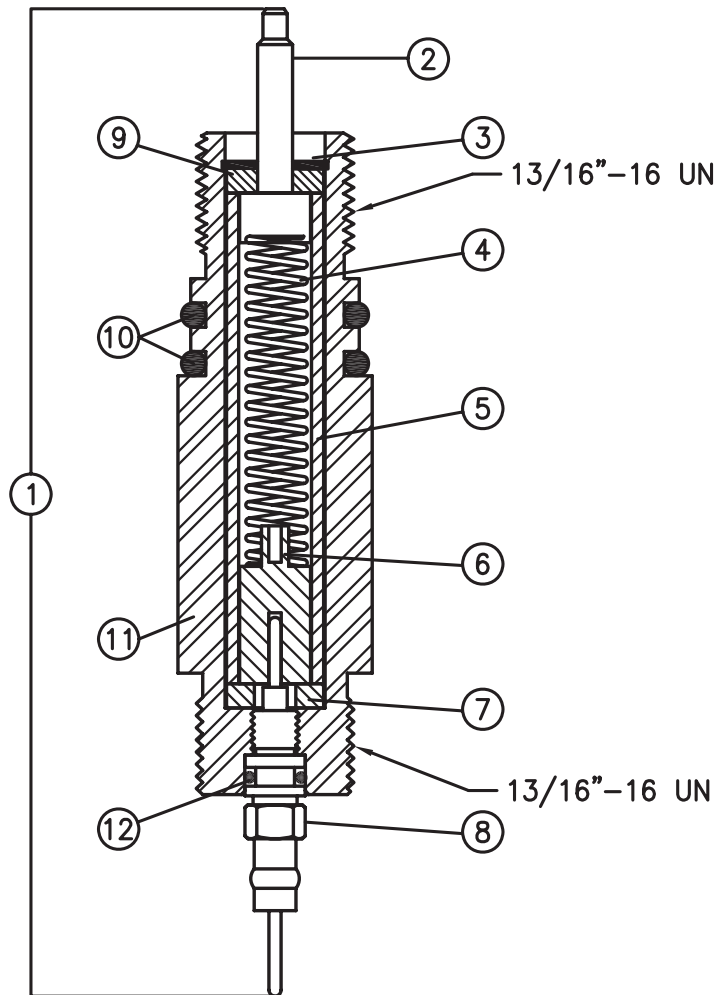
NO.	PART #	DESCRIPTION
1	KIT-0750-019	Complete Kit Assembly
2	BP-002	6-32 Swivel Banana Pin
3	INS-000-038	Insulating Washer, 7/16"
4	INS-000-077	Teflon Insulating Sleeve
5	ROD-632-1.750	6-32 Brass Contact Rod x 1.750
6	ORING-C67-110	110 O-Ring C-67
7	INS-000-028	Insulating Washer, 1/4"
8	INS-000-008	Teflon Insulating Sleeve
9	CON-000-059	Spring Loaded Contact
10	ORING-C67-012	012 O-Ring C-67
11	0750-000-019	3/4" Go Pin to 11/16" Pin



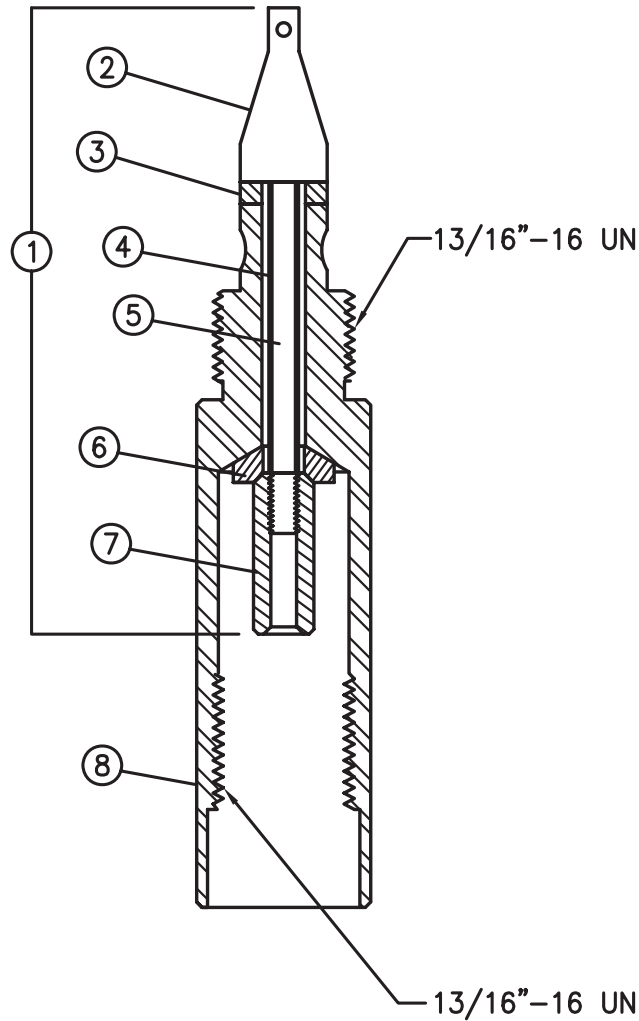
NO.	PART #	DESCRIPTION
1	KIT-0750-018	Complete Kit Assembly
2	BP-002	6-32 Swivel Banana Pin
3	INS-000-038	Insulating Washer, 7/16"
4	INS-000-077	Teflon Insulating Sleeve
5	ROD-632-1.900	6-32 Brass Contact Rod x 1.900
6	ORING-C67-110	110 O-Ring C-67
7	0750-000-018	3/4" Go Pin to 11/16" Box
8	INS-000-075	Contact Insulator
8	CON-000-068	6-32 Contact Receptacle



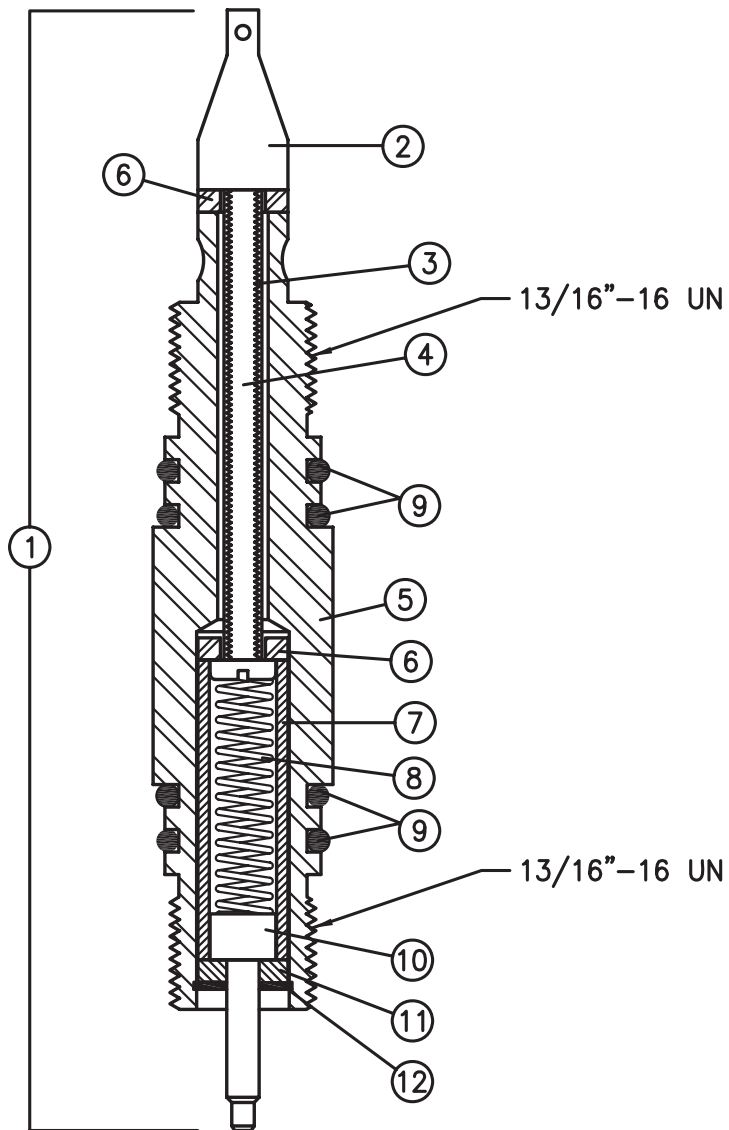
NO.	PART #	DESCRIPTION
1	KIT-0750-013	Complete Kit Assembly
2	CON-000-067	Tear Drop Cone
3	INS-000-077	Teflon Insulating Sleeve
4	ROD-632-1.850	6-32 Contact Rod x 1.850
5	0750-000-013	3/4" Go Tear Drop Too 11/16" Pin Sub
6	ORING-C67-012	012 O-Ring C-67
7	INS-000-038	Insulating Washer, 7/16"
8	INS-000-008	Teflon Insulating Sleeve
9	INS-000-028	Insulating Washer, 1/4"
6	ORING-C67-112	112 O-Ring C-67



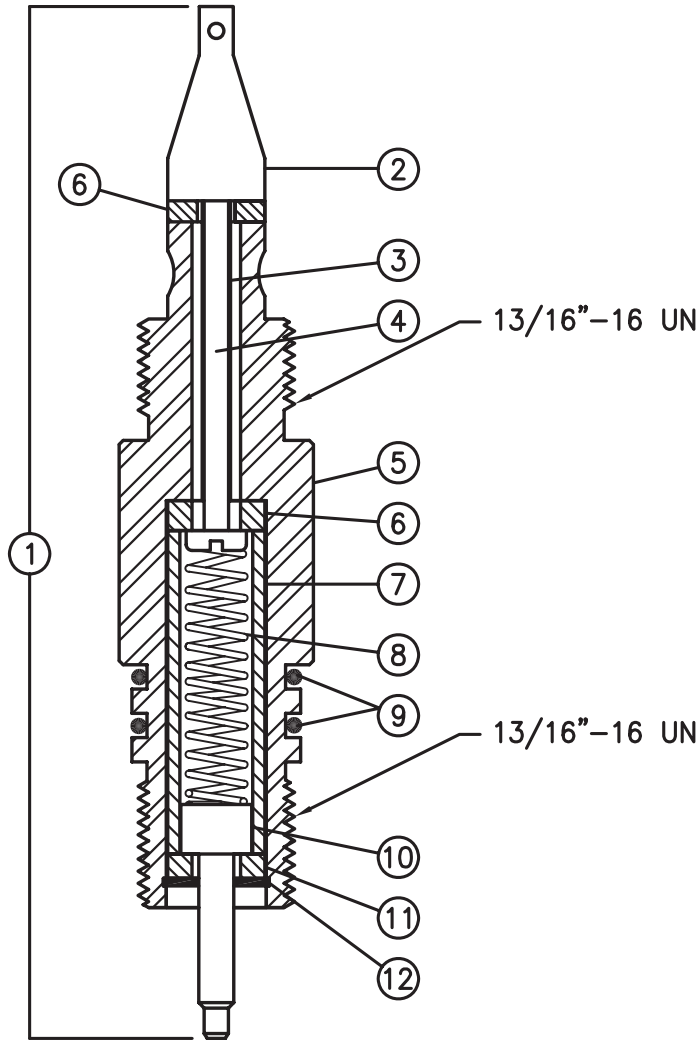
NO.	PART #	DESCRIPTION
1	KIT-100-017	Complete Kit Assembly
2	CON-000-001	Contact Plunger
3	RET-001	.515 Internal Retainer Ring
4	SPR-000-004	Contact Spring
5	INS-000-074	Contact Insulator
6	CON-000-058	Kemlon Contact Receptacle
7	INS-000-004	Plunger Insulating Washer
8	CON-000-055	PRESSURE CONNECTOR
9	INS-000-003	Insulating Washer
10	ORING-C67-115	115 O-Ring C-67
11	100-000-017	1" Go Pin To Pressure Conn. T.D. Sub
12	ORING-C67-008	008 O-Ring C-67



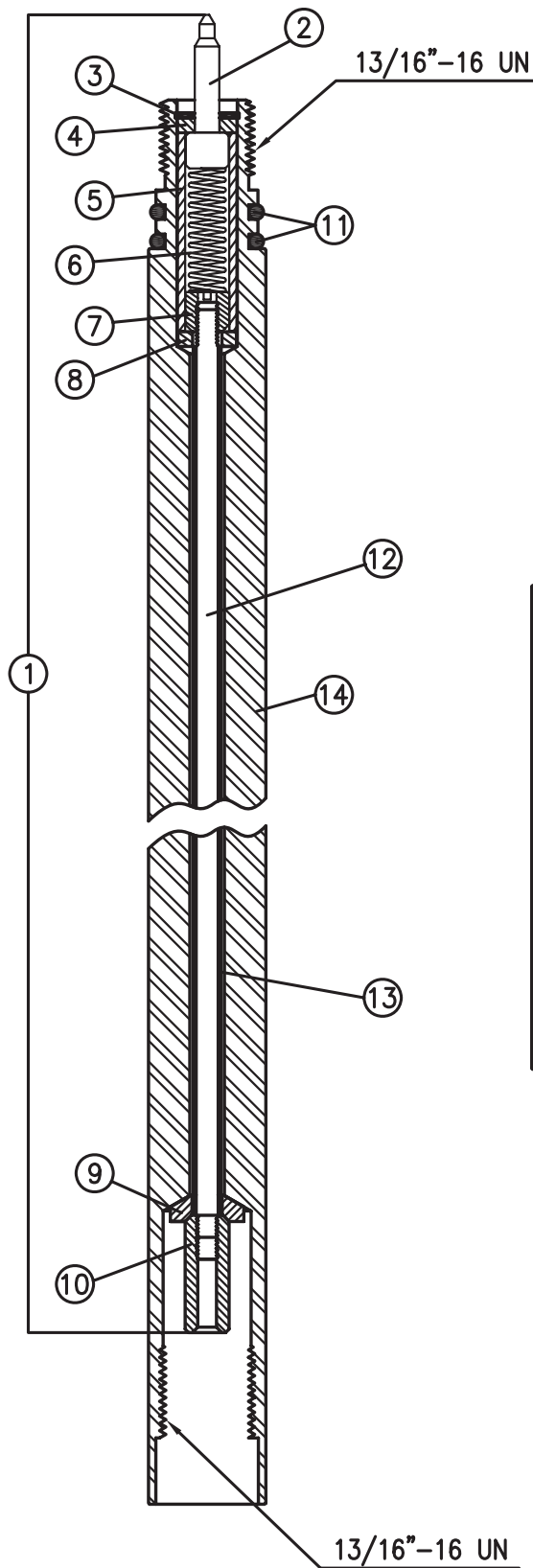
NO.	PART #	DESCRIPTION
1	KIT-100-009	Complete Kit Assembly
2	CON-000-005	Tear Drop Cone
3	INS-000-003	Insulating Washer
4	INS-000-008	Teflon Insulating Sleeve
5	ROD-1032-2.000	10-32 Contact Rod X 2.000
6	INS-000-032	5/8" Beveled Insulator
7	CON-000-043	1" Go Box Hex Contact
8	100-000-009	Contact Sub Body



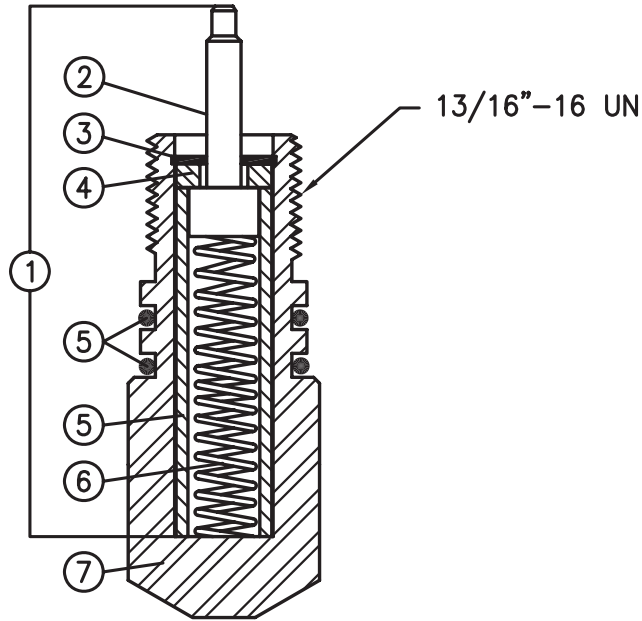
NO.	PART #	DESCRIPTION
1	KIT-100-016	Complete Kit Assembly
2	CON-000-005	Tear Drop Cone
3	INS-000-008	Teflon Insulating Sleeve
4		10-32 Pan Head Screw 2 7/8" Long
5	100-000-016	Double Sealed Tear Drop Body
6	INS-000-003	Insulating Washer
7	INS-000-005	Contact Insulator
8	SPR-000-004	Contact Spring
9	ORING-C67-115	115 O-Ring C-67
10	CON-000-001	Contact Plunger
11	INS-000-004	Plunger Insulating Washer
12	RET-001	.515 Internal Retainer Ring



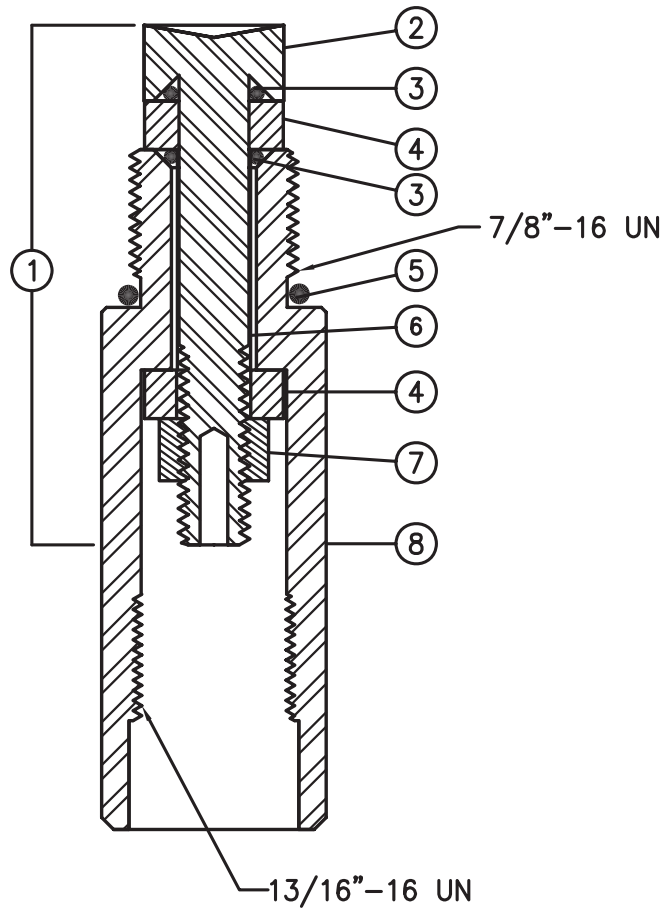
NO.	PART #	DESCRIPTION
1	KIT-100-008	Complete Kit Assembly
2	CON-000-005	Tear Drop Cone
3	INS-000-008	Teflon Insulating Sleeve
4		10-32 Pan Head Screw 1 7/8" Long
5	100-000-008	Contact Sub Body
6	INS-000-003	Insulating Washer
7	INS-000-005	Contact Insulator
8	SPR-000-004	Contact Spring
9	ORING-C67-115	115 O-Ring C-67
10	CON-000-001	Contact Plunger
11	INS-000-004	Plunger Insulating Washer
12	RET-001	.515 Internal Retainer Ring



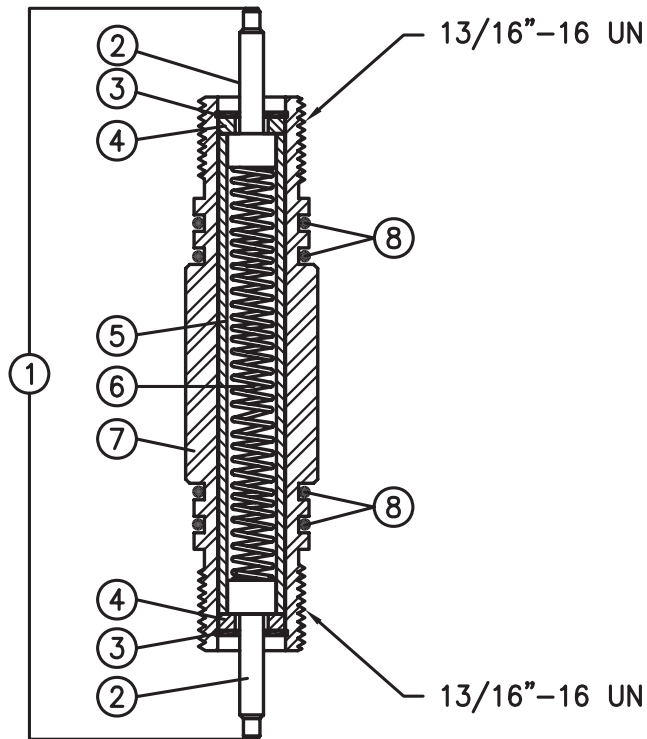
NO.	PART #	DESCRIPTION
1	KIT-100-002	Complete Kit Assembly
2	CON-000-001	Contact Plunger
3	RET-001	.515 Internal Retainer Ring
4	INS-000-004	Plunger Insulating Washer
5	INS-000-005	Contact Insulator
6	SPR-000-004	Contact Spring
7	CON-000-031	Go Pin Contact
8	INS-000-003	Insulating Washer
9	INS-000-032	5/8" Beveled Insulator
10	CON-000-043	1" Go Box Hex Contact
11	ORING-C67-115	115 O-Ring C-67
12	ROD-1032-57.250	10-32 Contact Rod X 57.250
13	INS-000-008	Teflon Insulating Sleeve
14	100-000-002	1" 5'-0" Steel Sinker Bar Body



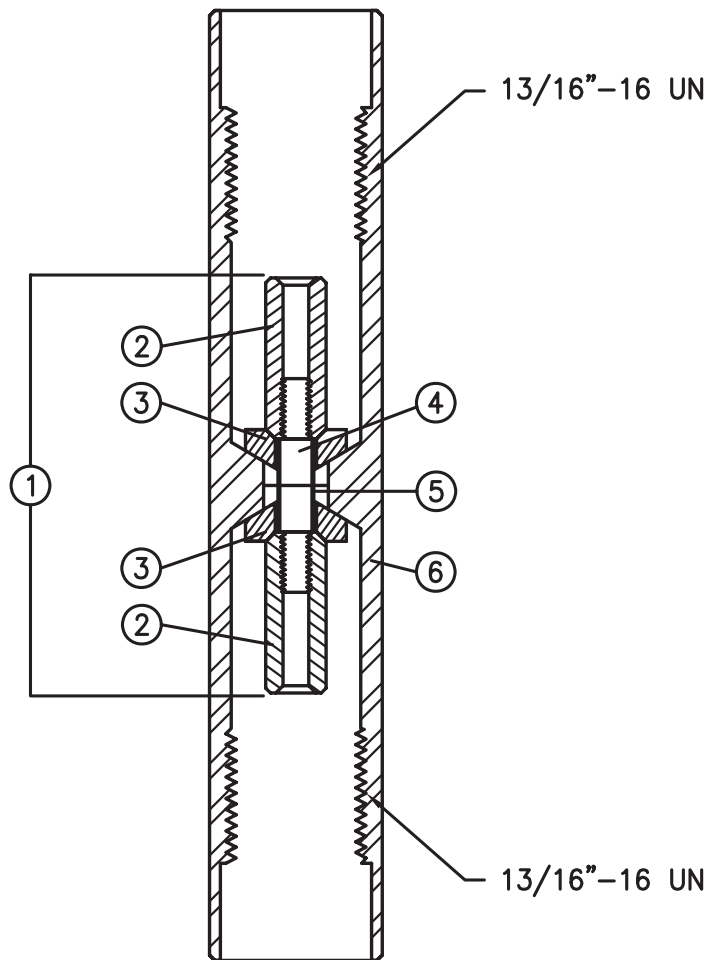
NO.	PART #	DESCRIPTION
1	KIT-100-005	Complete Kit Assembly
2	CON-000-001	Contact Plunger
3	RET-001	.515 Internal Retainer Ring
4	INS-000-004	Plunger Insulating Washer
5	INS-000-005	Contact Insulator
6	SPR-000-004	Contact Spring
7	100-000-005	Grounding Bull Plug Body
8	ORING-C67-115	115 O-Ring C-67



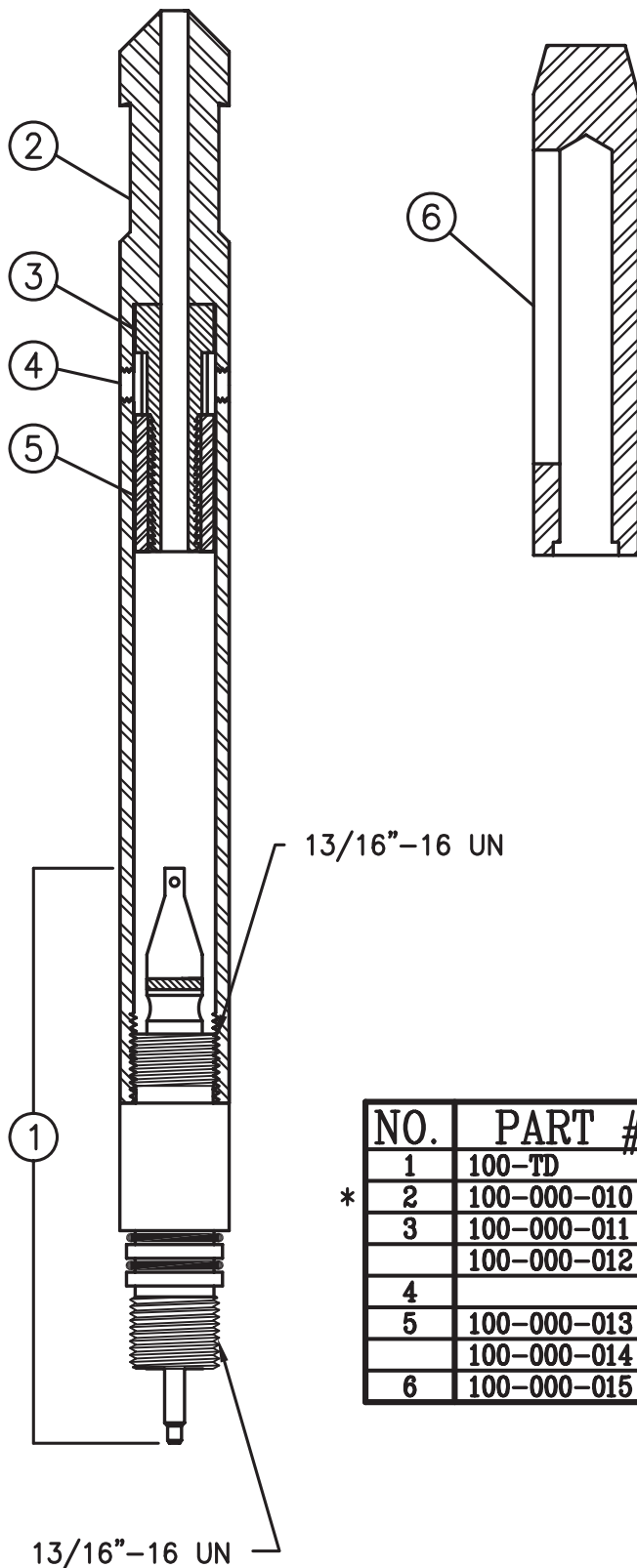
NO.	PART #	DESCRIPTION
1	KIT-100-007	Complete Kit Assembly
2	CON-000-054	1" Go Firing Sub Contact
3	ORING-C67-110	110 O-Ring C-67
4	INS-000-073	1" Go Firing Sub Insulating Washer
5	ORING-C67-210	210 O-Ring C-67
6	INS-000-058	Teflon Insulating Sleeve
7		3/8-16 Hex Nut
8	100-000-007	1" Contact Sub Body



NO.	PART #	DESCRIPTION
1	KIT-100-004	Complete Kit Assembly
2	CON-000-001	Contact Plunger
3	RET-001	.515 Internal Retainer Ring
4	INS-000-004	Plunger Insulating Washer
5	INS-000-034	Contact Insulator
6	SPR-000-004	Contact Spring
7	100-000-004	Double Go Pin Body
8	ORING-C67-115	115 O-Ring C-67



NO.	PART #	DESCRIPTION
1	KIT-100-006	Complete Kit Assembly
2	CON-000-043	1" Go Box Contact
3	INS-000-032	Beveled Insulating Washer
4	ROD-1032-1.200	10-32 Contact Rod x 1.200
5	INS-000-008	Teflon Insulating Sleeve
6	100-000-006	Double Go Box Body



NO.	PART #	DESCRIPTION
1	100-TD	1" Tear Drop To 1" Go Pin
* 2	100-000-010	1" Cablehead Body
3	100-000-011	1" Rope Socket Body (5/16" Line)
	100-000-012	1" Rope Socket Body (3/16", 7/32" Line)
4		5/16"-24 Socket Set Screw
5	100-000-013	1" Clamp Ring (5/16" Line)
	100-000-014	1" Clamp Ring (3/16", 7/32" Line)
6	100-000-015	1" Rope Socket Tool

* SPECIFY LINE SIZE WHEN ORDERING

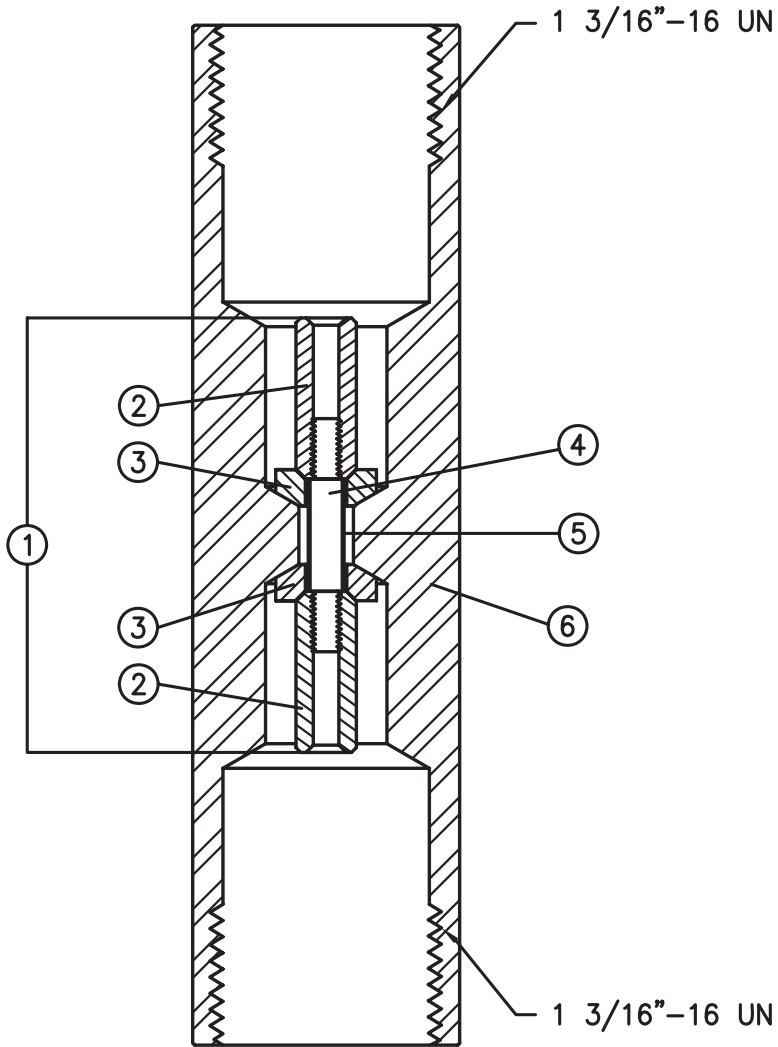
* ASSY #: 100-CH



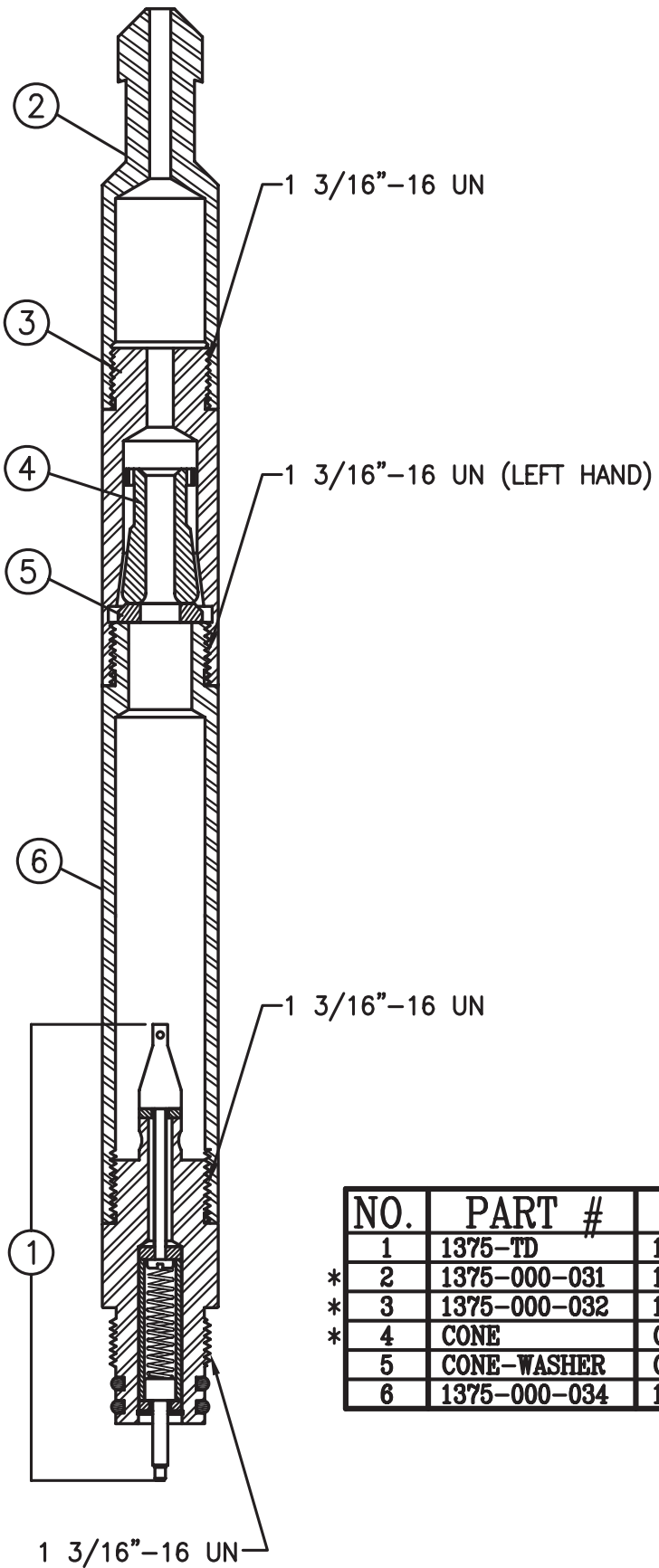
www.probe1.com

24/7 Sales and Support +1 (817) 568 8528

1" CABLEHEAD ASSY.



NO.	PART #	DESCRIPTION
1	KIT-1375-028	Complete Kit Assembly
2	CON-000-007	Go Box Contact
3	INS-000-032	Beveled Insulating Washer
4	ROD-1032-1.00	10-32 Contact Rod x 1.000
5	INS-000-008	Teflon Insulating Sleeve
6	1375-000-028	Double Go Box Body



NO.	PART #	DESCRIPTION
1	1375-TD	1 3/8" Go Tear Drop
* 2	1375-000-031	1 3/8" Split Cablehead Fishing Neck
* 3	1375-000-032	1 3/8" Split Cablehead Top Sub
* 4	CONE	Cablehead Cone
5	CONE-WASHER	Cablehead Washer
6	1375-000-034	1 3/8" Go Cablehead Sleeve

1 3/16" - 16 UN

* SPECIFY LINE SIZE WHEN ORDERING

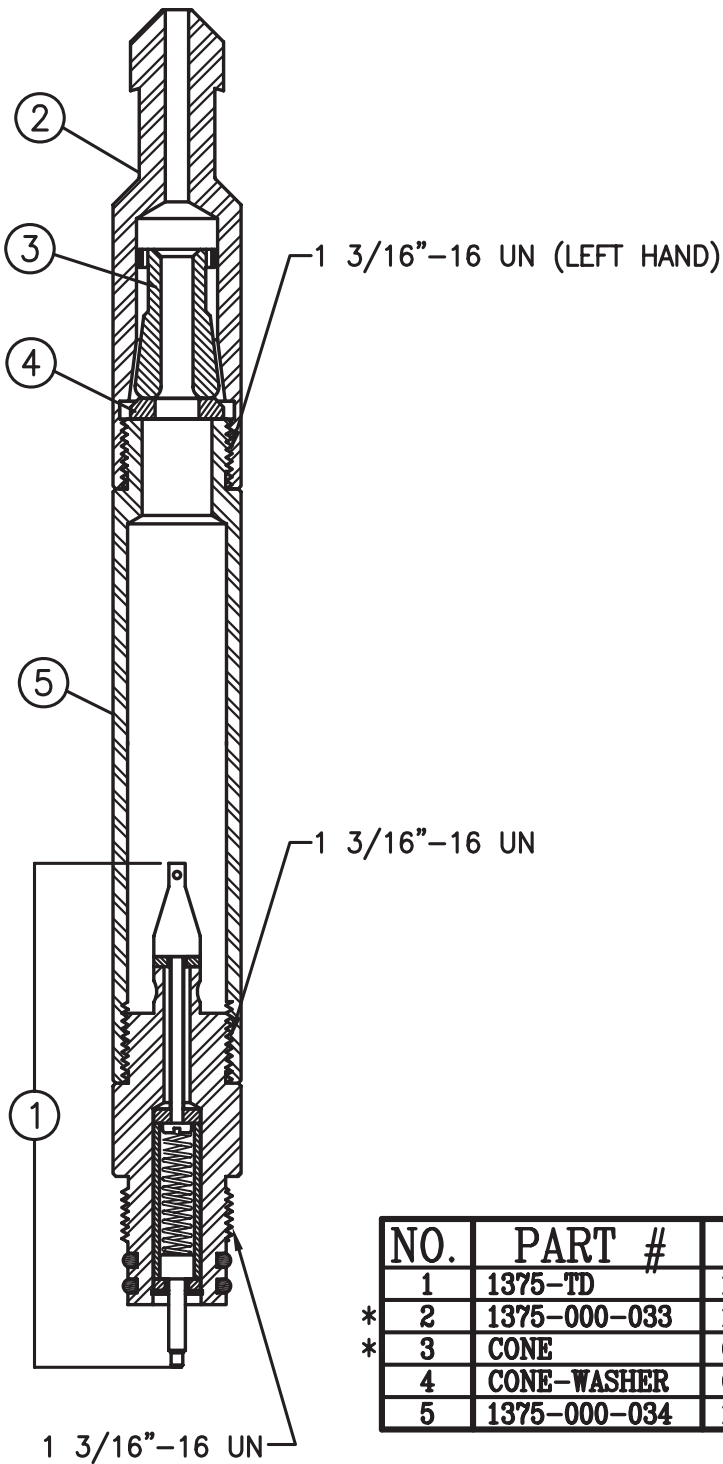
* ASSY #: 1375-CH-GO-SPLIT



www.probe1.com

24/7 Sales and Support +1 (817) 568 8528

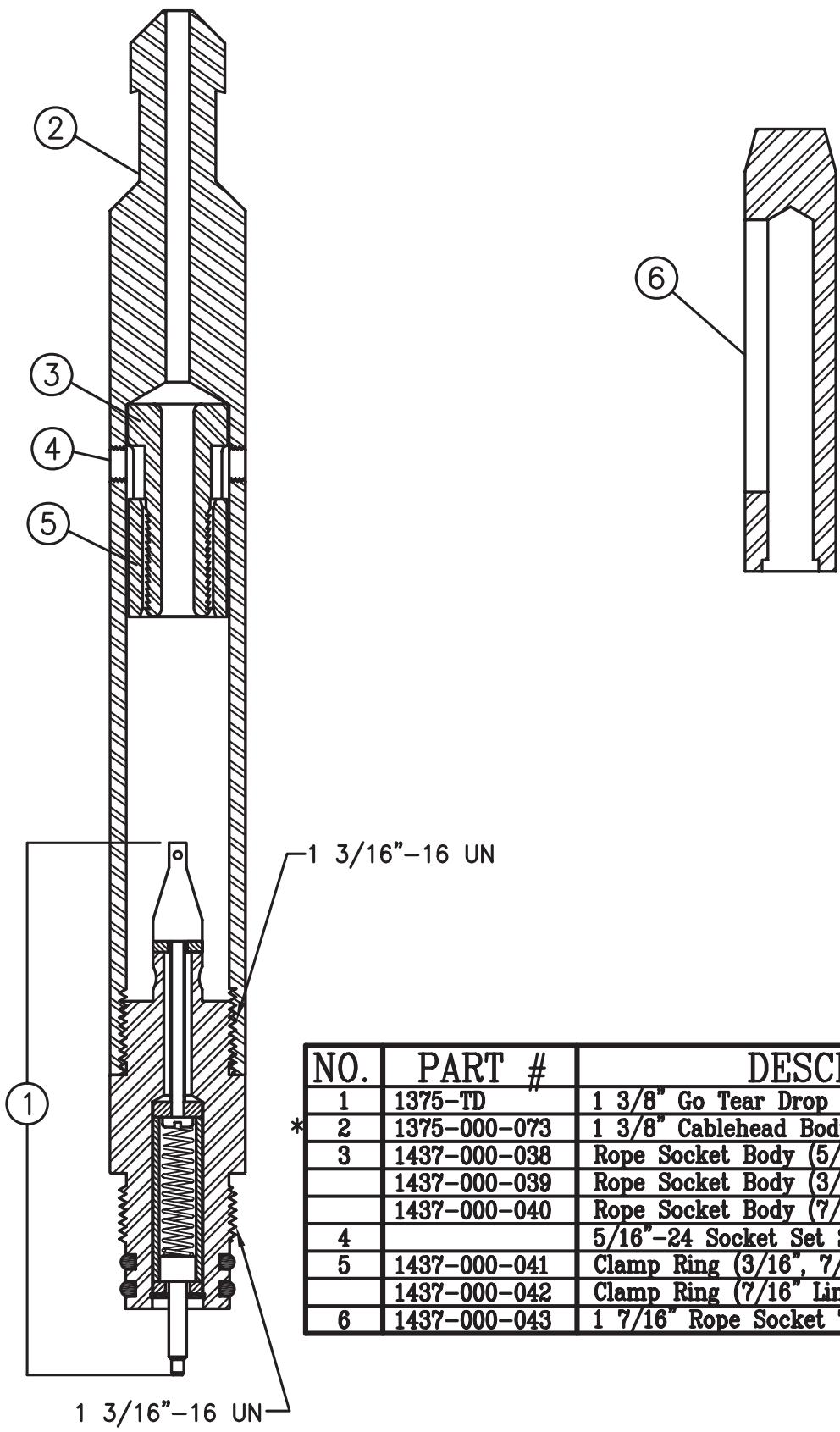
1 3/8" GO SPLIT CABLEHEAD ASSY.



NO.	PART #	DESCRIPTION
1	1375-TD	1 3/8" Go Tear Drop
* 2	1375-000-033	1 3/8" Go Cablehead Fishing Neck
* 3	CONE	Cablehead Cone
4	CONE-WASHER	Cablehead Washer
5	1375-000-034	1 3/8" Go Cablehead Sleeve

* SPECIFY LINE SIZE WHEN ORDERING

* ASSY #: 1375-CH-GO



NO.	PART #	DESCRIPTION
1	1375-TD	1 3/8" Go Tear Drop
* 2	1375-000-073	1 3/8" Cablehead Body
3	1437-000-038	Rope Socket Body (5/16" Line)
	1437-000-039	Rope Socket Body (3/16", 7/32" Line)
	1437-000-040	Rope Socket Body (7/16" Line)
4		5/16"-24 Socket Set Screw
5	1437-000-041	Clamp Ring (3/16", 7/32", 5/16" Line)
	1437-000-042	Clamp Ring (7/16" Line)
6	1437-000-043	1 7/16" Rope Socket Tool

* SPECIFY LINE SIZE WHEN ORDERING

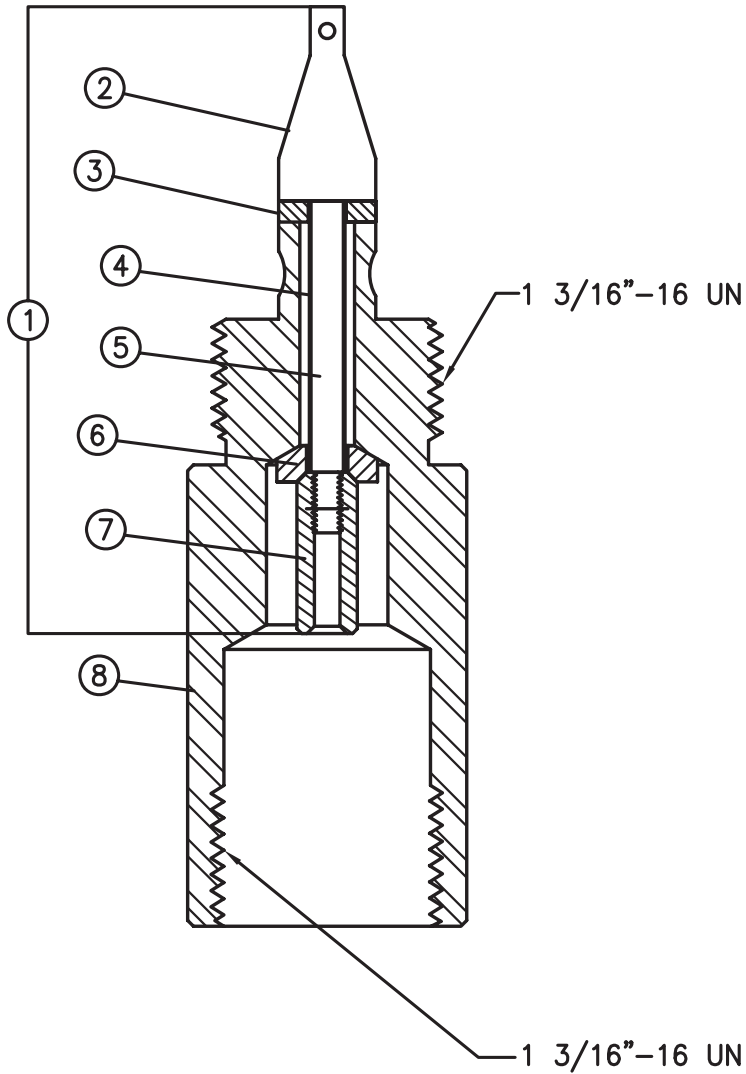
* ASSY #: 1375-CH



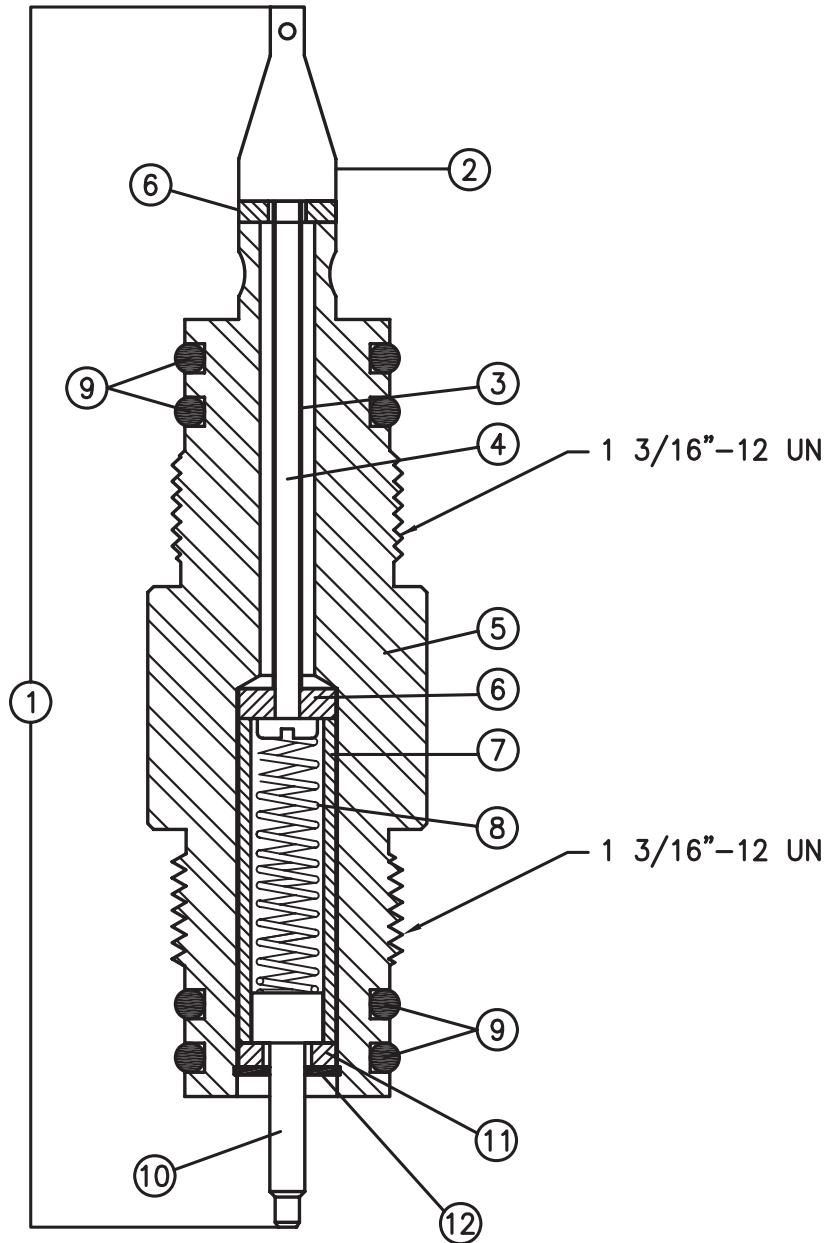
www.probe1.com

24/7 Sales and Support +1 (817) 568 8528

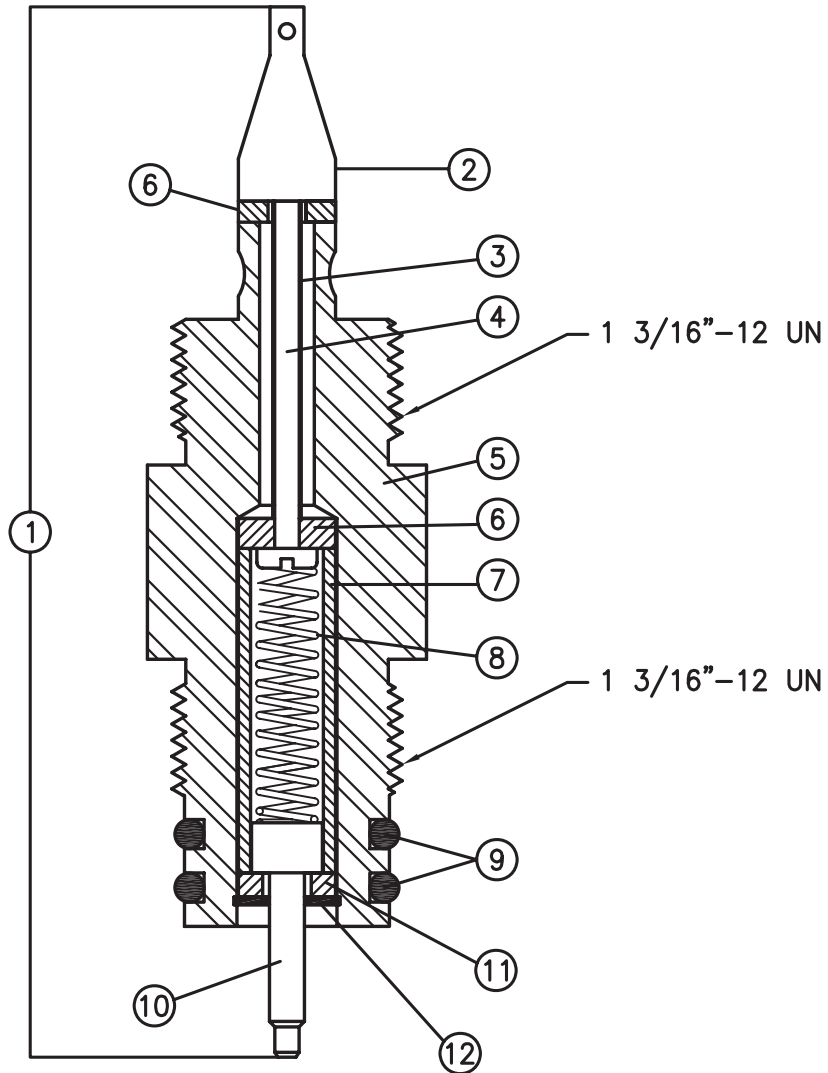
1 3/8" CABLEHEAD ASSY.



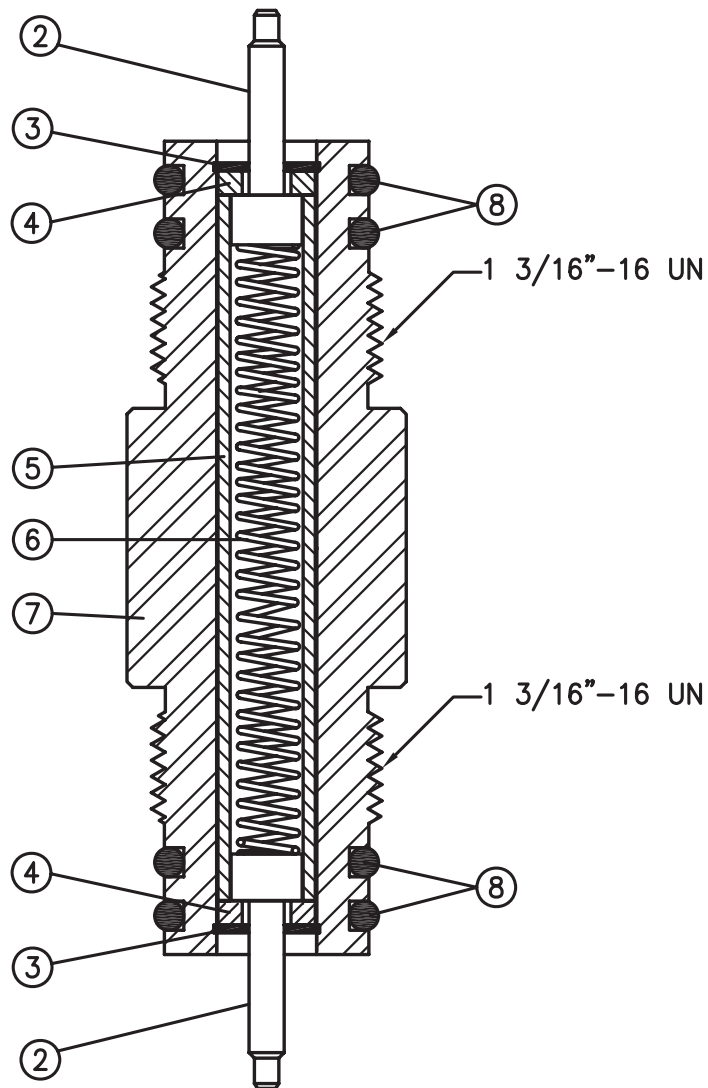
NO.	PART #	DESCRIPTION
1	KIT-1375-030	Complete Kit Assembly
2	CON-000-005	Tear Drop Cone
3	INS-000-003	Insulating Washer
4	INS-000-008	Teflon Insulating Sleeve
5	ROD-1032-1.750	10-32 Contact Rod X 1.750
6	INS-000-032	5/8" Beveled Insulator
7	CON-000-007	Go Box Hex Contact
8	1375-000-030	Contact Sub Body



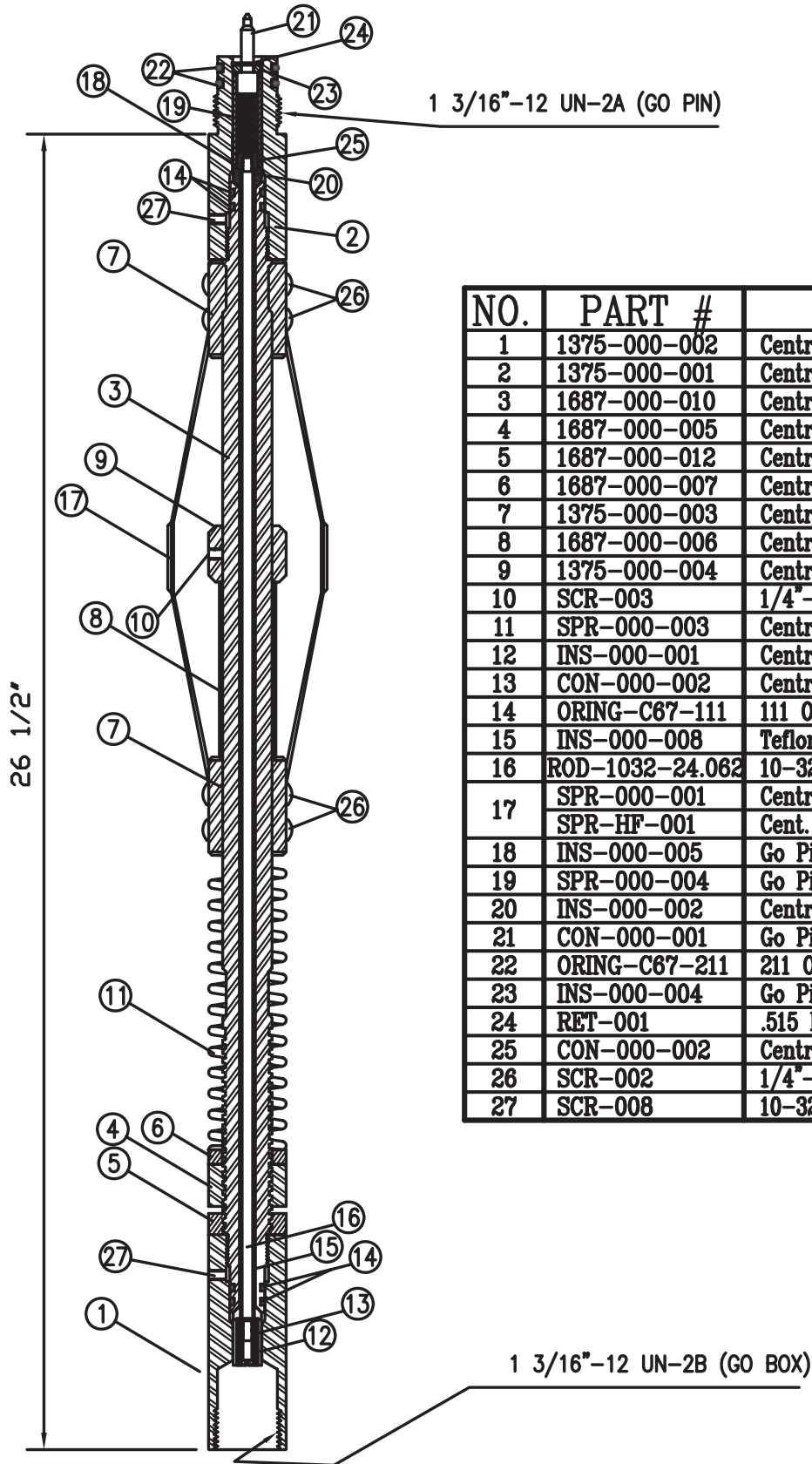
NO.	PART #	DESCRIPTION
1	KIT-1375-027	Complete Kit Assembly
2	CON-000-005	Tear Drop Cone
3	INS-000-008	Teflon Insulating Sleeve
4		10-32 Pan Head Screw 2 7/8" Long
5	1375-000-027	1 3/8" Double Sealed Tear Drop Sub
6	INS-000-003	Insulating Washer
7	INS-000-005	Contact Insulator
8	SPR-000-004	Contact Spring
9	ORING-C67-211	211 O-Ring C-67
10	CON-000-001	Contact Plunger
11	INS-000-004	Plunger Insulating Washer
12	RET-001	.515 Internal Retainer Ring



NO.	PART #	DESCRIPTION
1	KIT-1375-025	Complete Kit Assembly
2	CON-000-005	Tear Drop Cone
3	INS-000-008	Teflon Insulating Sleeve
4		10-32 Pan Head Screw 2" Long
5	1375-000-025	1 3/8" Tear Drop Sub
6	INS-000-003	Insulating Washer
7	INS-000-005	Contact Insulator
8	SPR-000-004	Contact Spring
9	ORING-C67-211	211 O-Ring C-67
10	CON-000-001	Contact Plunger
11	INS-000-004	Plunger Insulating Washer
12	RET-001	.515 Internal Retainer Ring



NO.	PART #	DESCRIPTION
1	KIT-1375-029	Complete Kit Assembly
2	CON-000-001	Contact Plunger
3	RET-001	.515 Internal Retainer Ring
4	INS-000-004	Plunger Insulating Washer
5	INS-000-034	Contact Insulator
6	SPR-000-004	Contact Spring
7	1375-000-029	Double Go Pin Body
8	ORING-C67-211	211 O-Ring C-67



NO.	PART #	DESCRIPTION
1	1375-000-002	Centralizer Top Sub
2	1375-000-001	Centralizer Bottom Sub
3	1687-000-010	Centralizer Mandrel
4	1687-000-005	Centralizer Adjustment Nut
5	1687-000-012	Centralizer Jam Nut
6	1687-000-007	Centralizer Spacer Washer
7	1375-000-003	Centralizer Spring Collar
8	1687-000-006	Centralizer Adjustment Sleeve
9	1375-000-004	Centralizer Adjustment Collar
10	SCR-003	1/4"-20 Socket Set Screw x .250
11	SPR-000-003	Centralizer Compression Spring
12	INS-000-001	Centralizer Top Sub Insulator
13	CON-000-002	Centralizer Top Sub Contact
14	ORING-C67-111	111 O-Ring C-67
15	INS-000-008	Teflon Insulating Sleeve
16	ROD-1032-24.062	10-32 Contact Rod x 24 1/16"
17	SPR-000-001	Centralizer Bow Spring x 12 5/8"
	SPR-HF-001	Cent. Bow Spring x 12 5/8", w/ Hard Face
18	INS-000-005	Go Pin Contact Insulator
19	SPR-000-004	Go Pin Compression Spring
20	INS-000-002	Centralizer Bottom Sub Insulating Washer
21	CON-000-001	Go Pin Contact Plunger
22	ORING-C67-211	211 O-Ring C-67
23	INS-000-004	Go Pin Insulating Washer
24	RET-001	.515 Internal Retainer Ring
25	CON-000-002	Centralizer Bottom Sub Contact
26	SCR-002	1/4"-20 Button Head Screw x .250
27	SCR-008	10-32 X 1/2" Socket Set Screw

42A

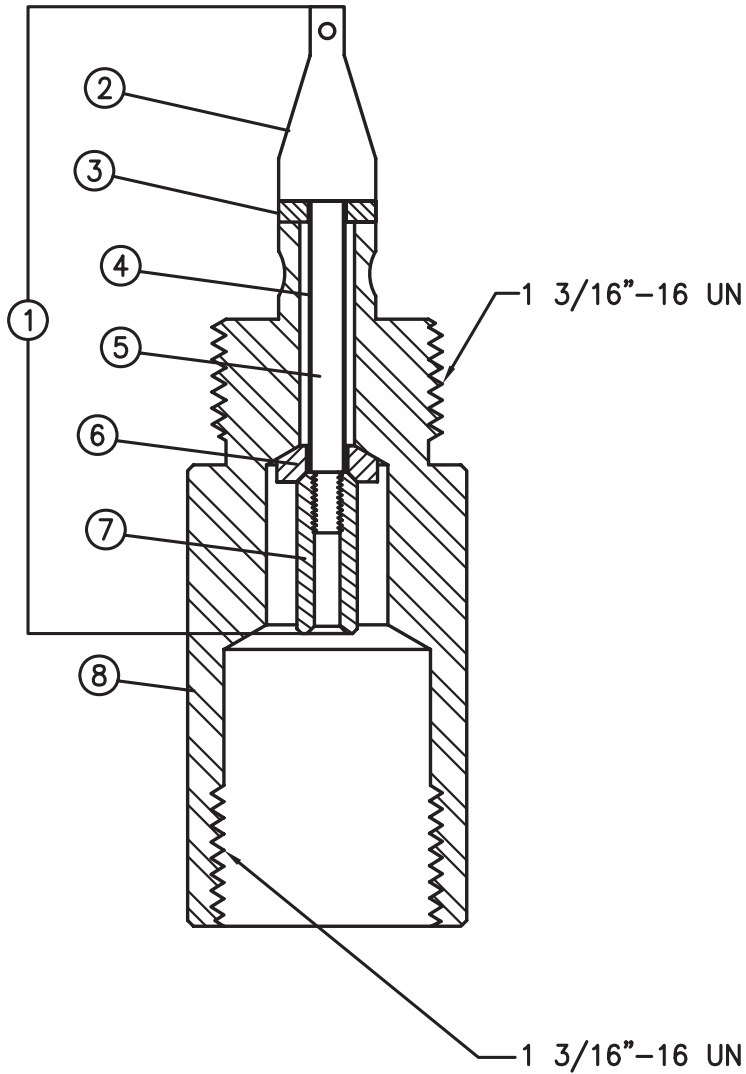
ASSY #: 1375-CENT



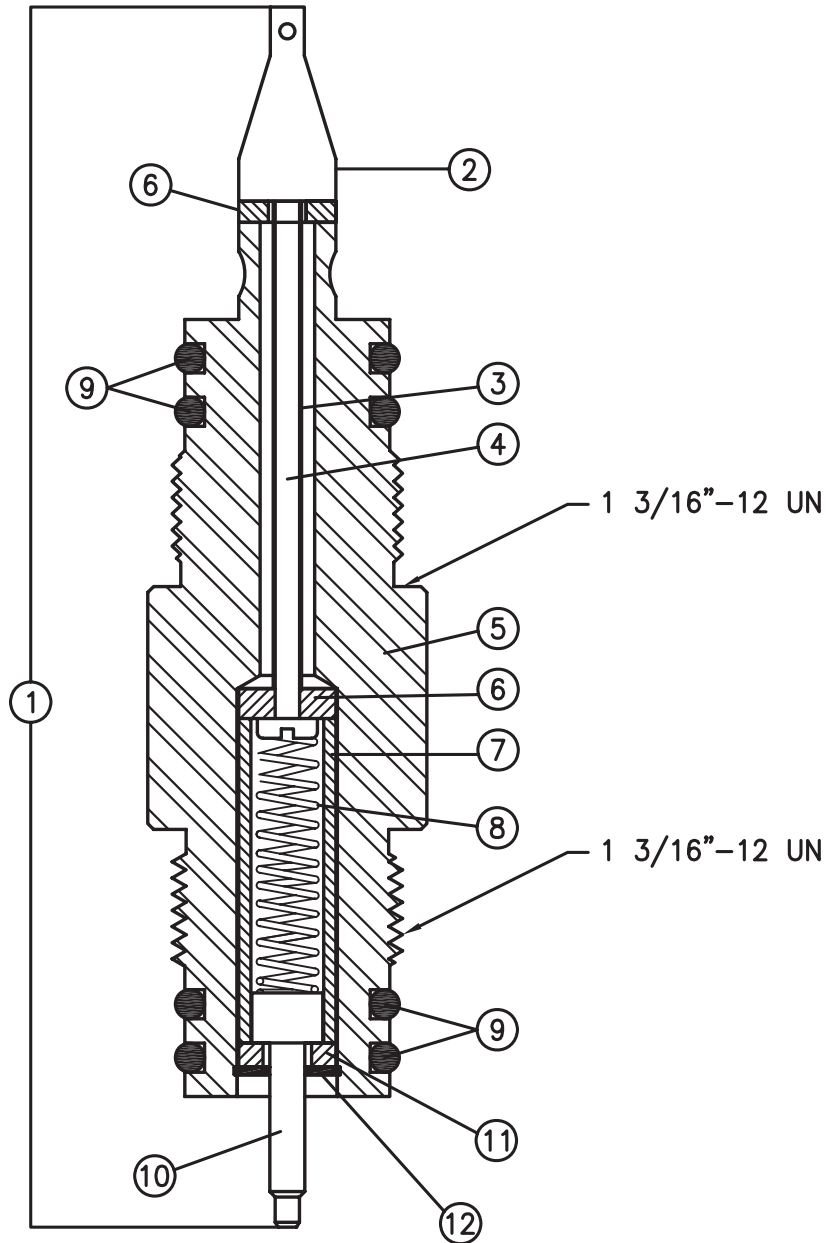
www.probe1.com

24/7 Sales and Support +1 (817) 568 8528

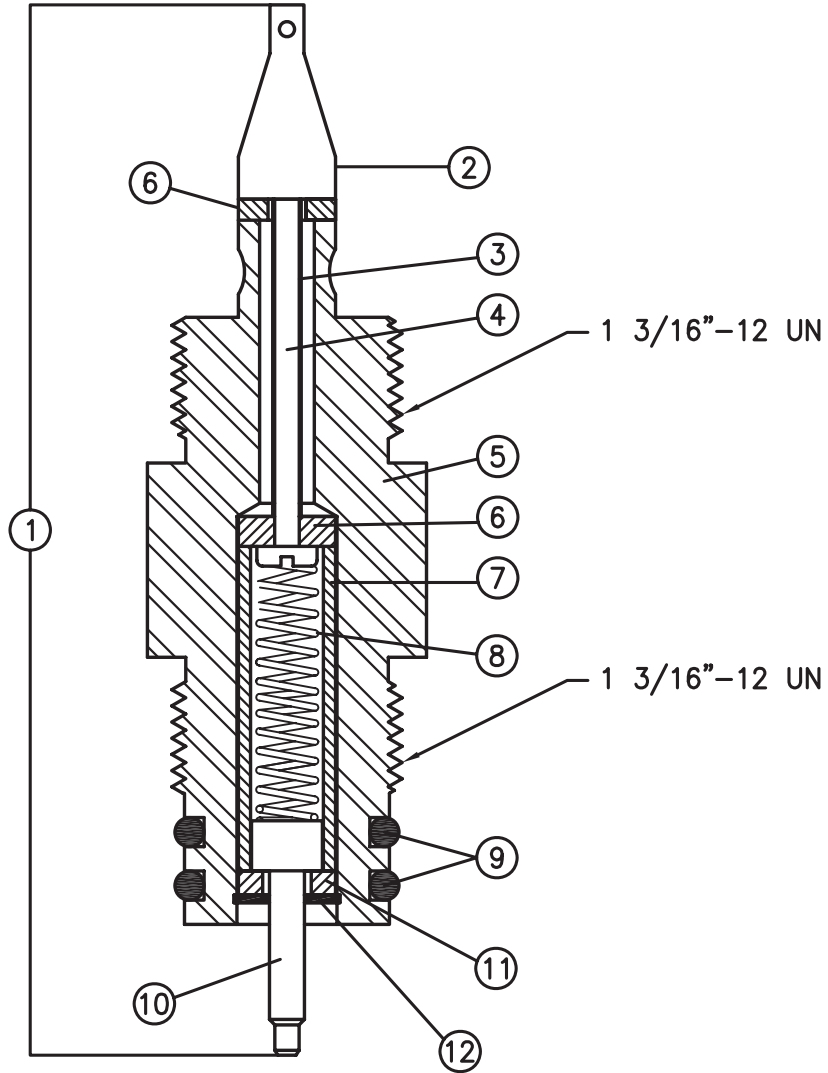
1 3/8" BOW SPRING CENTRALIZER



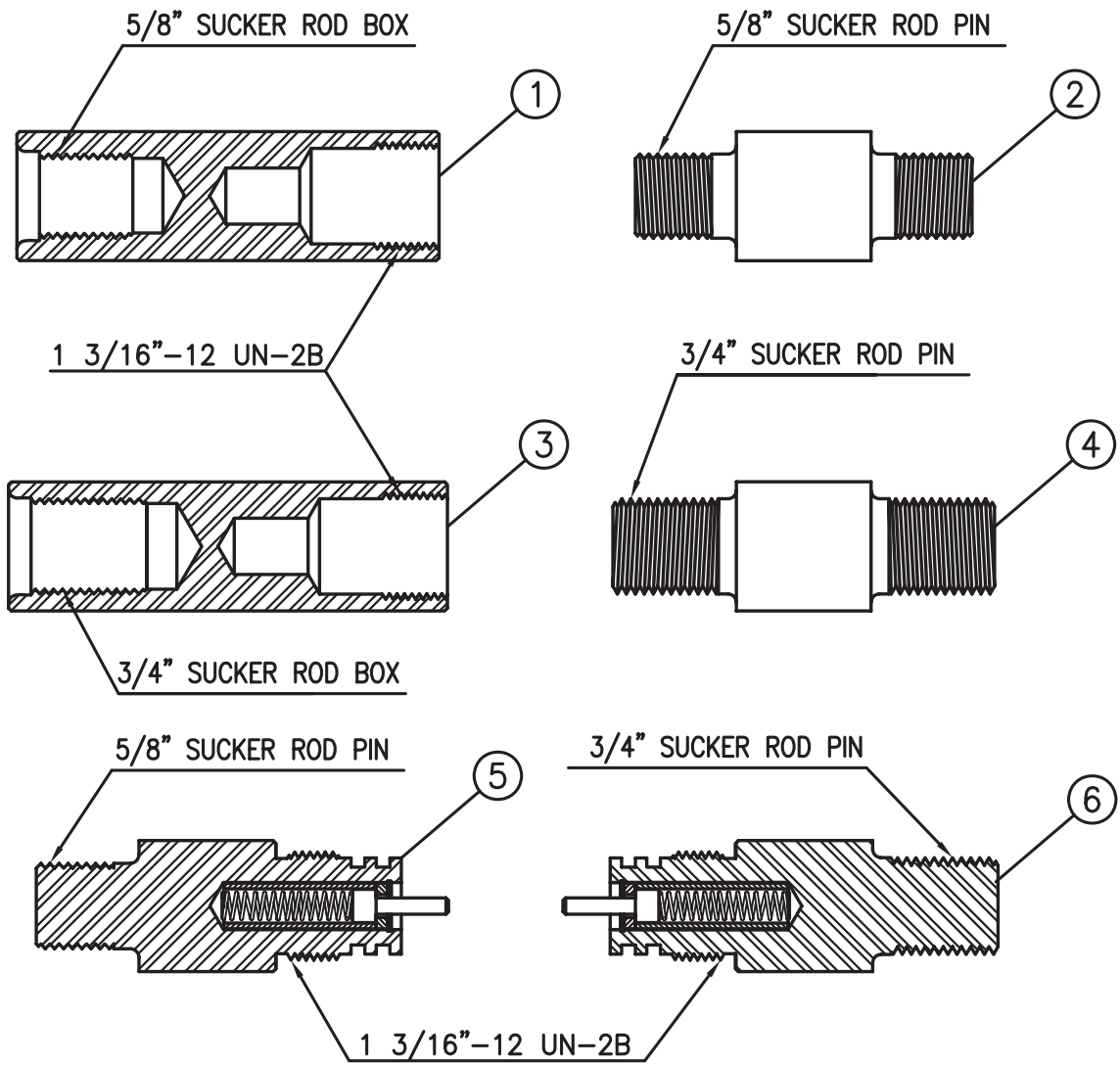
NO.	PART #	DESCRIPTION
1	KIT-1437-045	Complete Kit Assembly
2	CON-000-005	Tear Drop Cone
3	INS-000-003	Insulating Washer
4	INS-000-008	Teflon Insulating Sleeve
5	ROD-1032-1.750	10-32 Contact Rod X 1.750
6	INS-000-032	5/8" Beveled Insulator
7	CON-000-007	Go Box Hex Contact
8	1437-000-045	Contact Sub Body



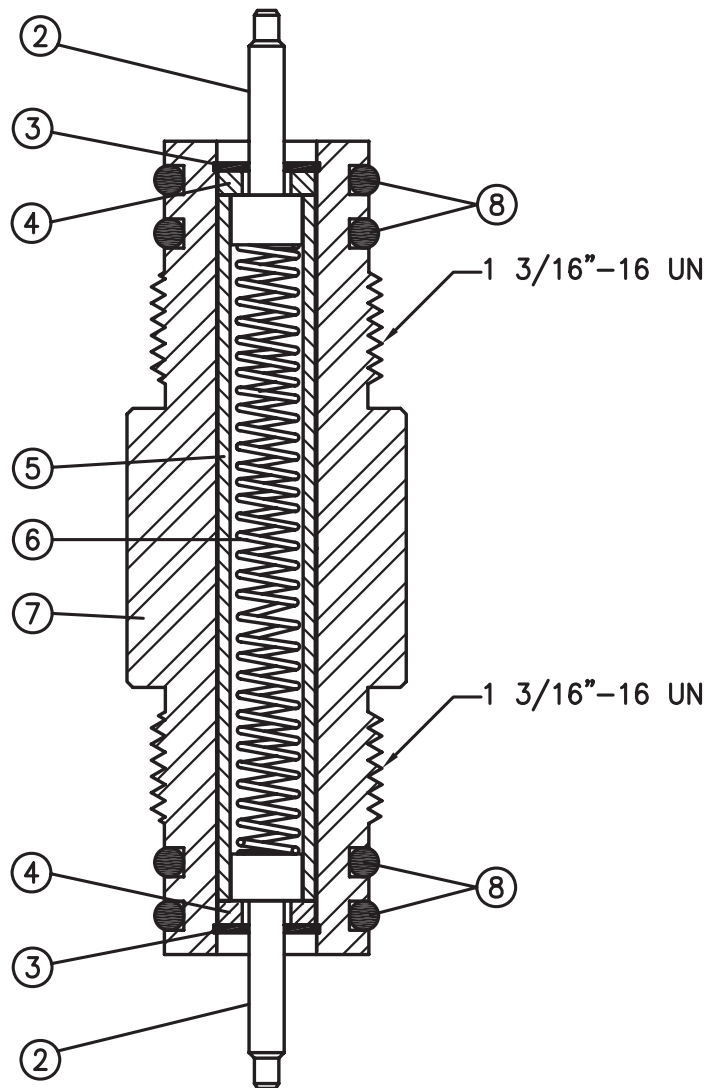
NO.	PART #	DESCRIPTION
1	KIT-1437-036	Complete Kit Assembly
2	CON-000-005	Tear Drop Cone
3	INS-000-008	Teflon Insulating Sleeve
4		10-32 Pan Head Screw 2 7/8" Long
5	1437-000-036	1 7/16" Double Sealed Tear Drop Sub
6	INS-000-003	Insulating Washer
7	INS-000-005	Contact Insulator
8	SPR-000-004	Contact Spring
9	ORING-C67-211	211 O-Ring C-67
10	CON-000-001	Contact Plunger
11	INS-000-004	Plunger Insulating Washer
12	RET-001	.515 Internal Retainer Ring



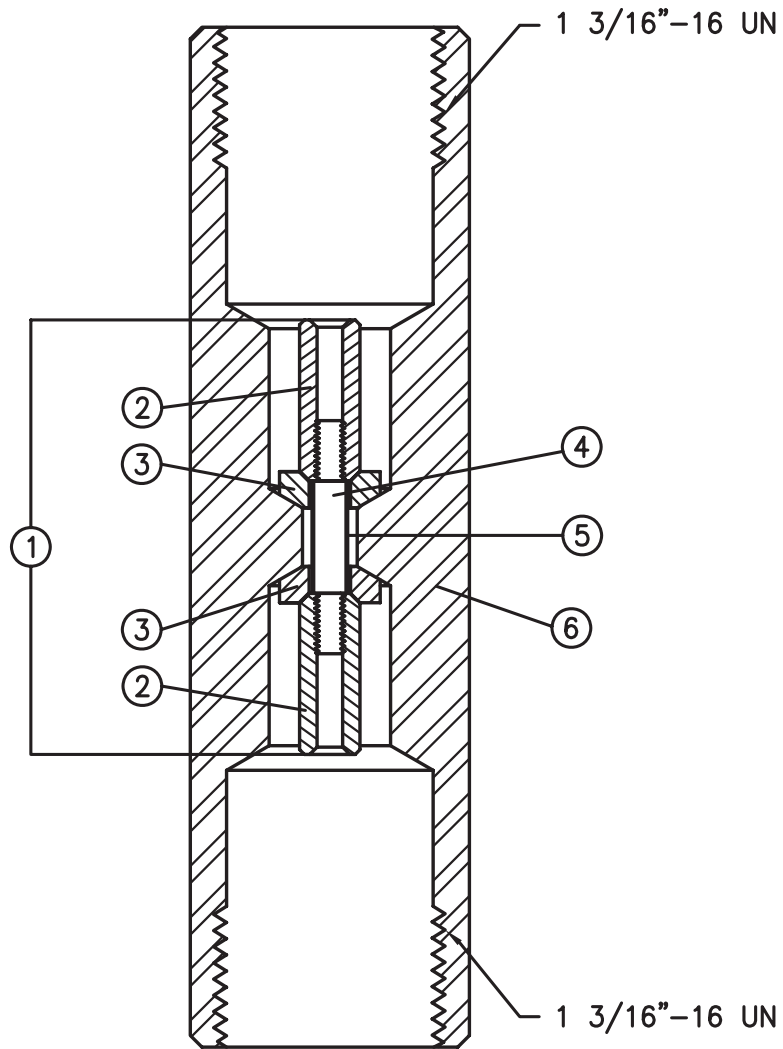
NO.	PART #	DESCRIPTION
1	KIT-1437-003	Complete Kit Assembly
2	CON-000-005	Tear Drop Cone
3	INS-000-008	Teflon Insulating Sleeve
4		10-32 Pan Head Screw 2" Long
5	1437-000-003	1 7/16" Tear Drop Sub
6	INS-000-003	Insulating Washer
7	INS-000-005	Contact Insulator
8	SPR-000-004	Contact Spring
9	ORING-C67-211	211 O-Ring C-67
10	CON-000-001	Contact Plunger
11	INS-000-004	Plunger Insulating Washer
12	RET-001	.515 Internal Retainer Ring



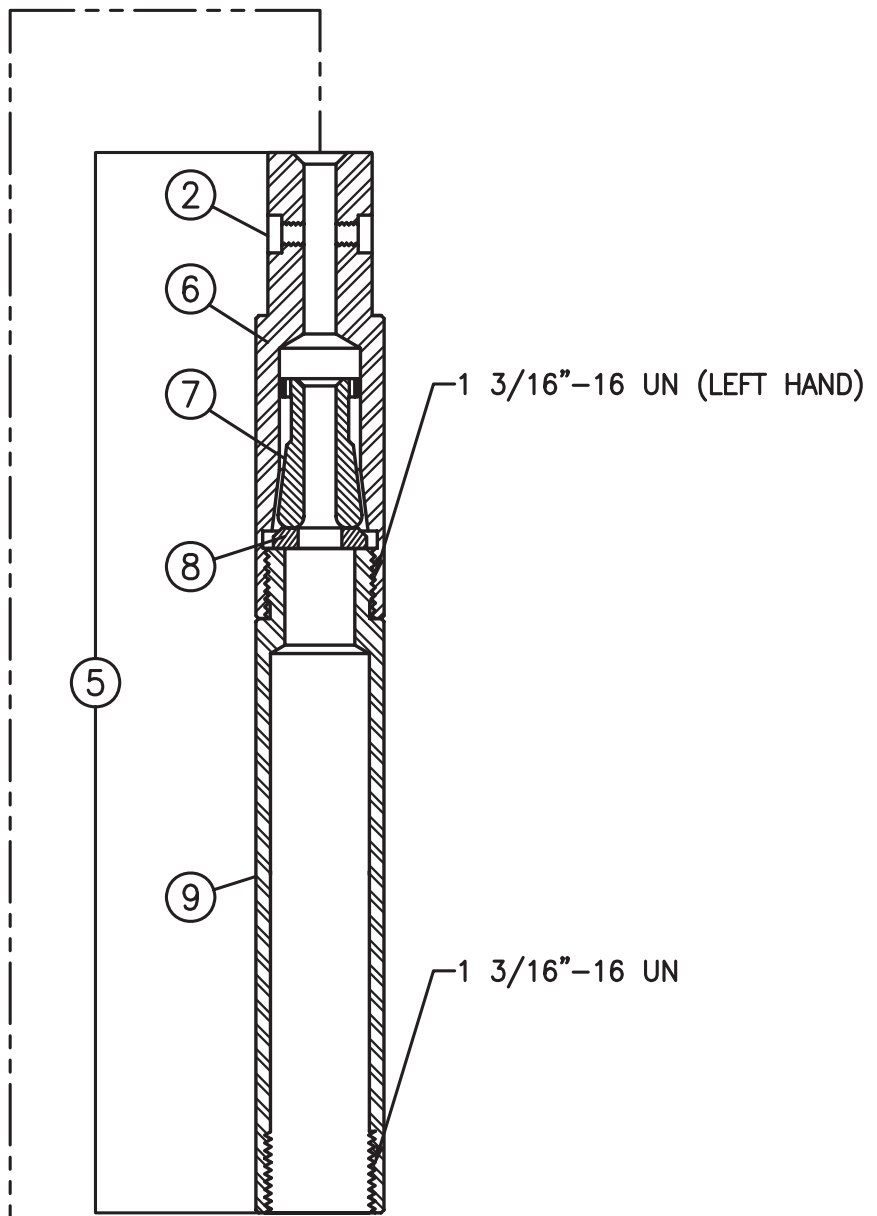
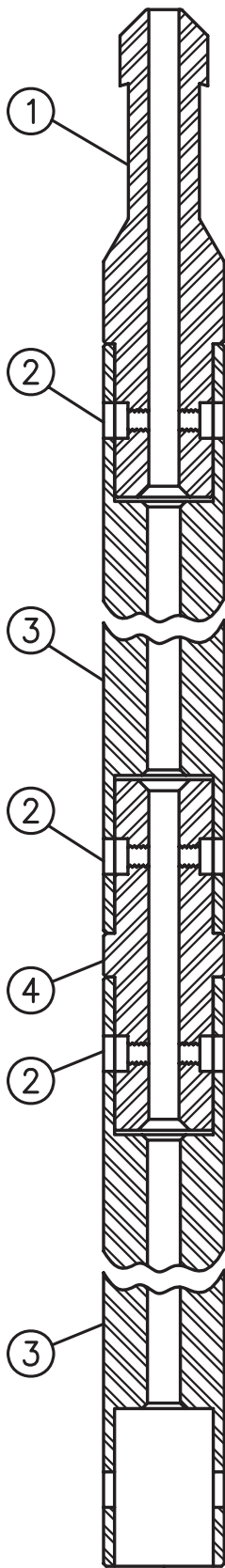
NO.	PART #	DESCRIPTION
1	1437-000-034	5/8" S.R. Box to 1 7/16" Go Box
2	1437-000-032	5/8" Double S.R. Pin Adapter Sub
3	1437-000-035	3/4" S.R. Box to 1 7/16" Go Box
4	1437-000-033	3/4" Double S.R. Pin Adapter Sub
5	1437-000-044	5/8" S.R. Pin / Go Pin
6	1437-000-046	3/4" S.R. Pin / Go Pin



NO.	PART #	DESCRIPTION
1	KIT-1437-002	Complete Kit Assembly
2	CON-000-001	Contact Plunger
3	RET-001	.515 Internal Retainer Ring
4	INS-000-004	Plunger Insulating Washer
5	INS-000-034	Contact Insulator
6	SPR-000-004	Contact Spring
7	1437-000-002	Double Go Pin Body
8	ORING-C67-211	211 O-Ring C-67



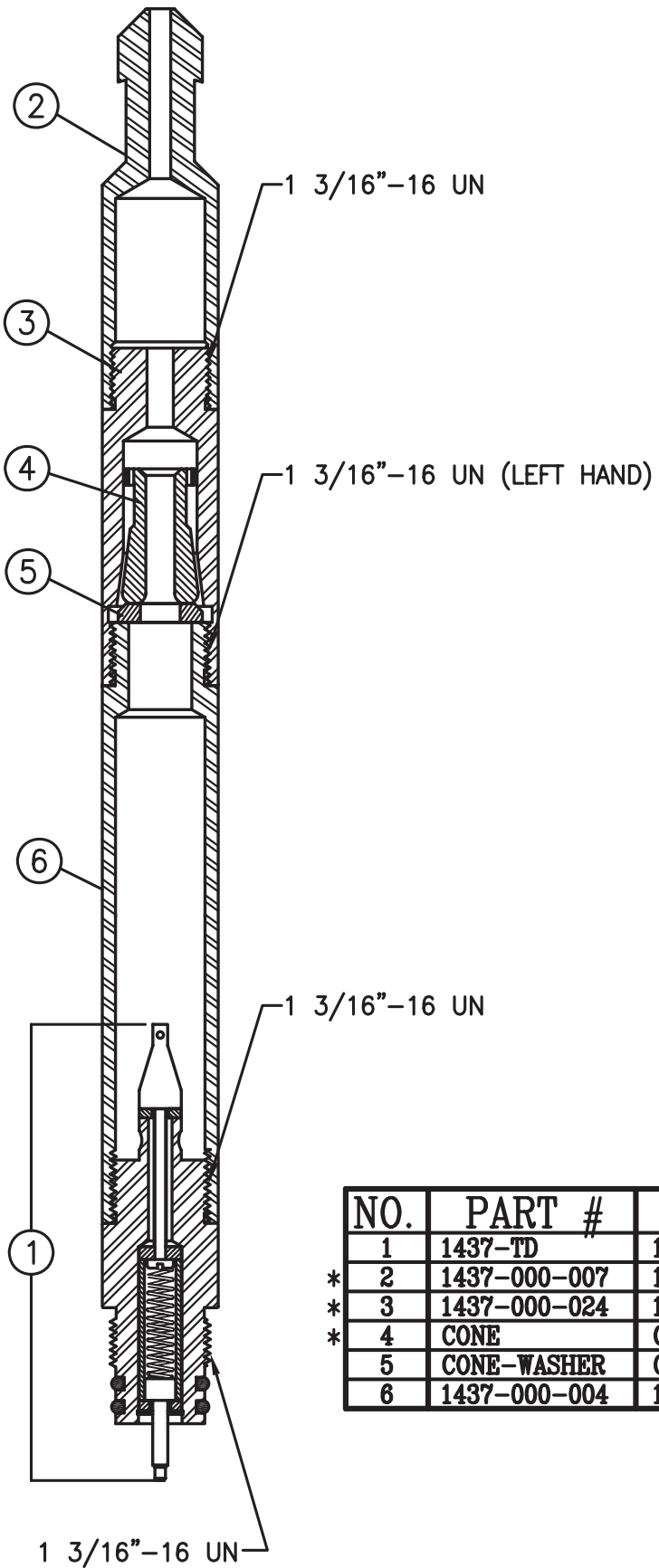
NO.	PART #	DESCRIPTION
1	KIT-1437-001	Complete Kit Assembly
2	CON-000-007	Go Box Contact
3	INS-000-032	Beveled Insulating Washer
4	ROD-1032-1.00	10-32 Contact Rod x 1.000
5	INS-000-008	Teflon Insulating Sleeve
6	1437-000-001	Double Go Box Body



NO.	PART #	DESCRIPTION
1	1437-000-026	1 7/16" O.T.L Cablehead Fishing Neck
2		1/4"-20 Skt. Head Cap Screw
3	1437-SB-5-OTL	1 7/16" O.T.L. Tungsten Sinker Bar
	1437-SB-7-OTL	
4	1437-000-028	1 7/16" O.T.L. Tandem Sub
5	1437-CH-OTL	1 7/16" O.T.L. Go Type Cablehead
* 6	1437-000-027	1 7/16" O.T.L. Go Type Cablehead Body
* 7	CONE	Cablehead Cone
8	CONE-WASHER	Cablehead Washer
9	1437-000-004	1 7/16" Go Cablehead Sleeve

* SPECIFY LINE SIZE WHEN ORDERING

* ASSY #: 1437-CH-OTL



NO.	PART #	DESCRIPTION
1	1437-TD	1 7/16" Go Tear Drop
* 2	1437-000-007	1 7/16" Split Cablehead Fishing Neck
* 3	1437-000-024	1 7/16" Split Cablehead Top Sub
* 4	CONE	Cablehead Cone
5	CONE-WASHER	Cablehead Washer
6	1437-000-004	1 7/16" Go Cablehead Sleeve

1 3/16" - 16 UN

* SPECIFY LINE SIZE WHEN ORDERING

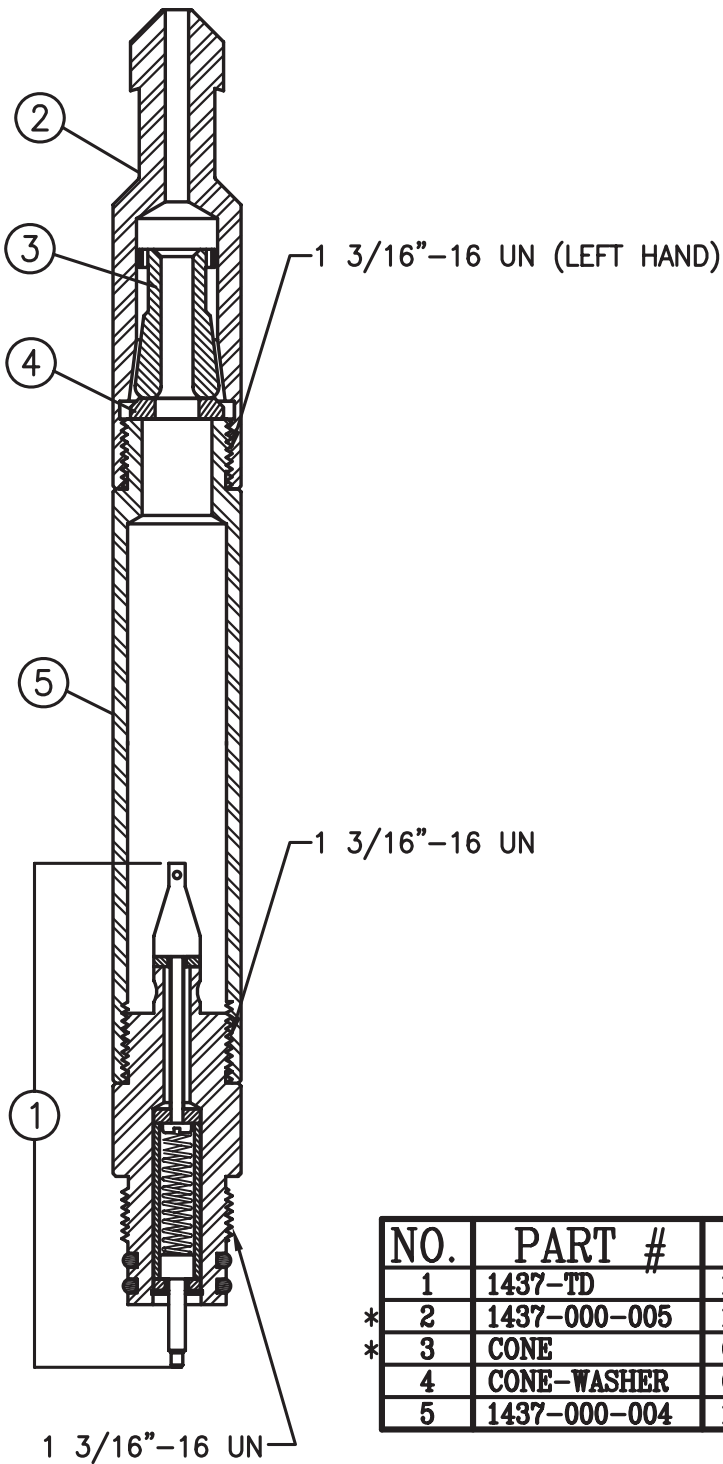
* ASSY #: 1437-CH-GO-SPLIT



www.probe1.com

24/7 Sales and Support +1 (817) 568 8528

1 7/16" GO SPLIT CABLEHEAD ASSY.



NO.	PART #	DESCRIPTION
1	1437-TD	1 7/16" Go Tear Drop
* 2	1437-000-005	1 7/16" Go Cablehead Fishing Neck
* 3	CONE	Cablehead Cone
4	CONE-WASHER	Cablehead Washer
5	1437-000-004	1 7/16" Go Cablehead Sleeve

* SPECIFY LINE SIZE WHEN ORDERING

* ASSY #: 1437-CH-GO

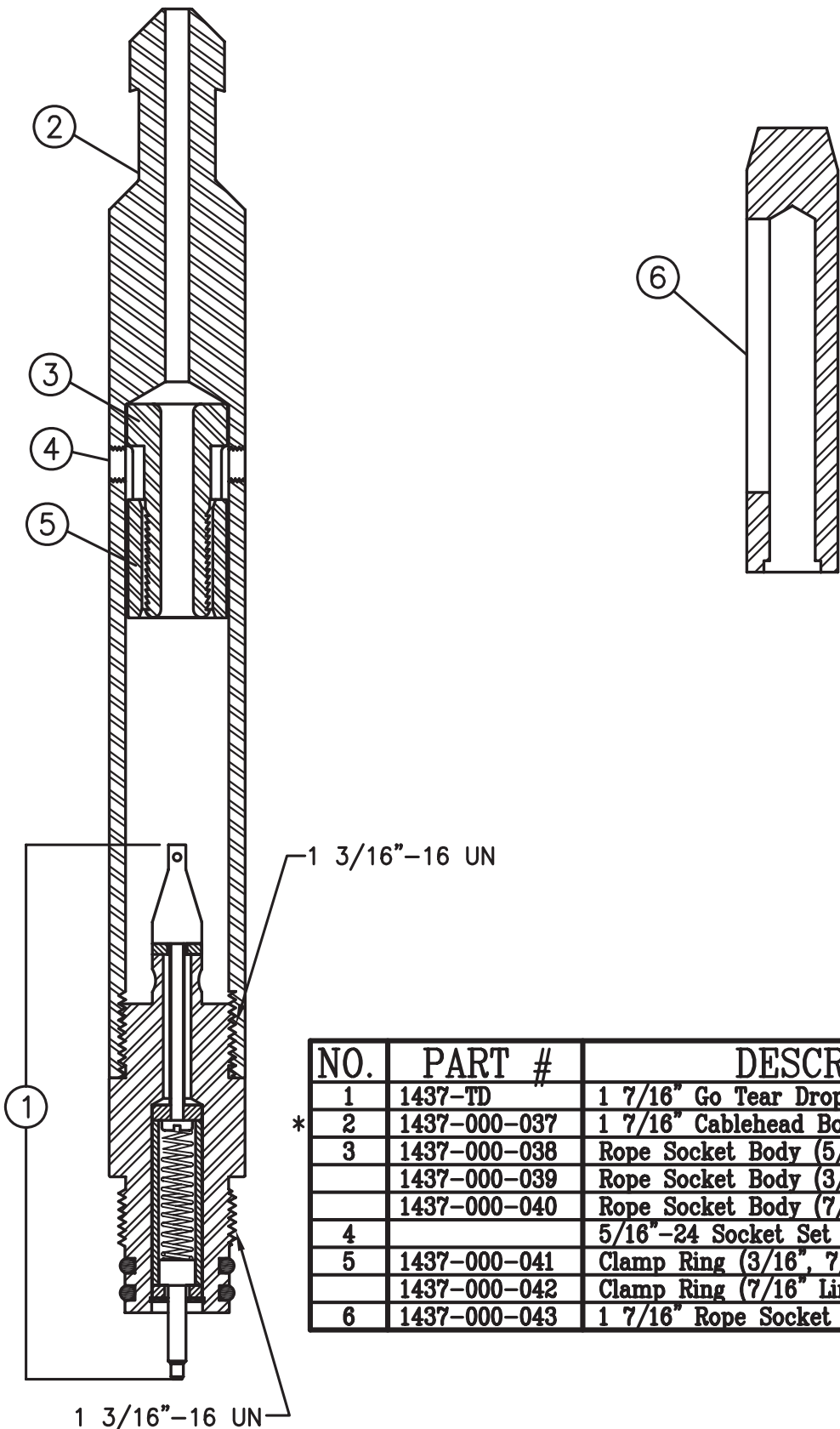
51



www.probe1.com

24/7 Sales and Support +1 (817) 568 8528

1 7/16" GO CABLEHEAD ASSY.



NO.	PART #	DESCRIPTION
1	1437-TD	1 7/16" Go Tear Drop
* 2	1437-000-037	1 7/16" Cablehead Body
3	1437-000-038	Rope Socket Body (5/16" Line)
	1437-000-039	Rope Socket Body (3/16", 7/32" Line)
	1437-000-040	Rope Socket Body (7/16" Line)
4		5/16"-24 Socket Set Screw
5	1437-000-041	Clamp Ring (3/16", 7/32", 5/16" Line)
	1437-000-042	Clamp Ring (7/16" Line)
6	1437-000-043	1 7/16" Rope Socket Tool

* SPECIFY LINE SIZE WHEN ORDERING

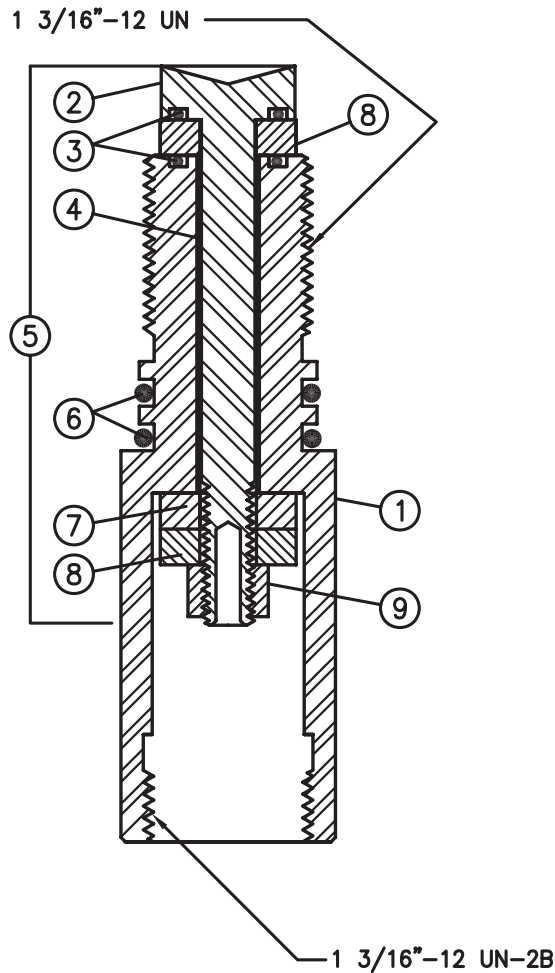
* ASSY #: 1437-CH



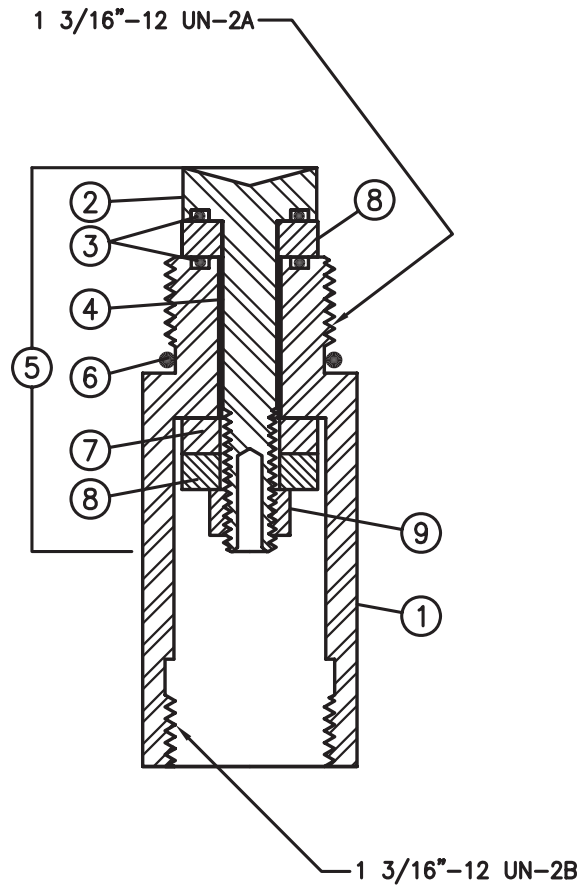
www.probe1.com

24/7 Sales and Support +1 (817) 568 8528

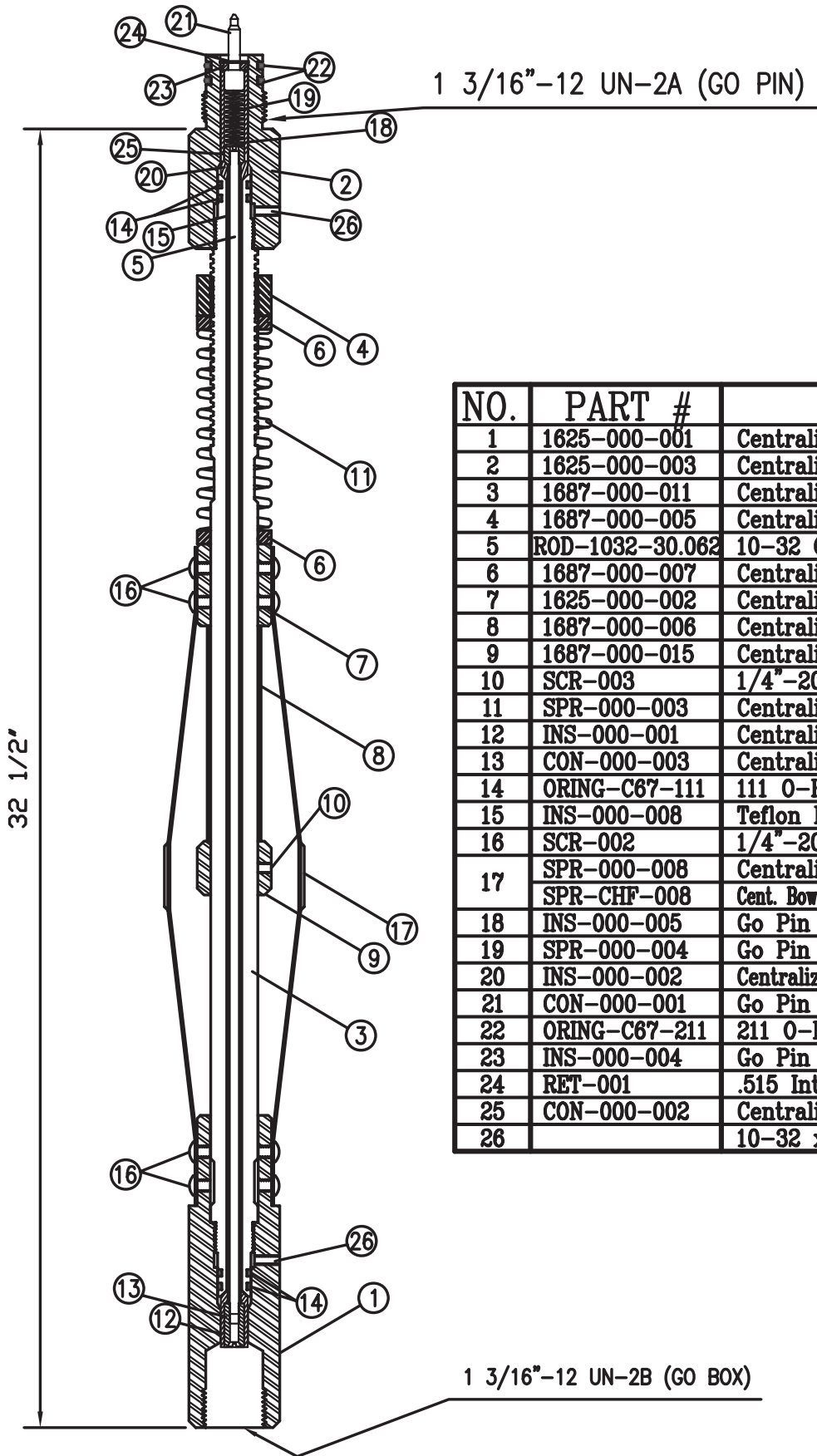
1 7/16" CABLEHEAD ASSY.



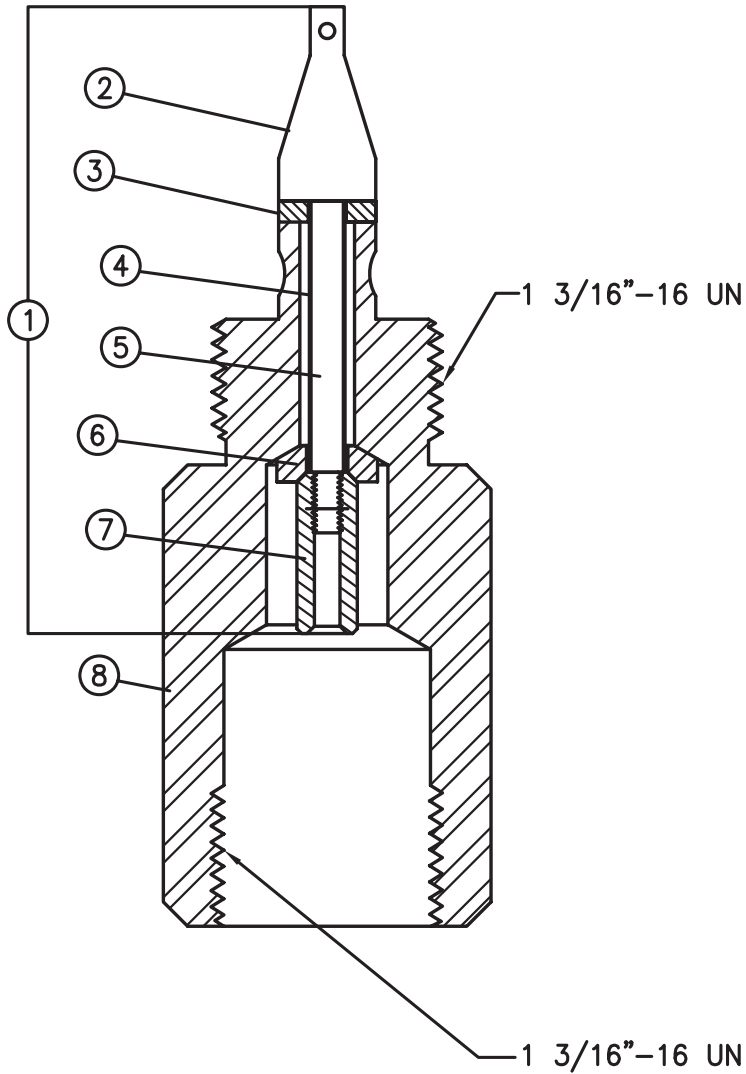
NO.	PART #	DESCRIPTION
1	1500-000-004	Go High Pressure Firing Sub Body
2	CON-000-039	Go High Pressure Firing Sub Contact
3	ORING-C67-114	114 O-Ring C-67
4	INS-000-058	Teflon Insulating Sleeve
5	KIT-1500-004	Complete Kit Assembly
6	ORING-C67-214	214 O-Ring C-67
7	INS-000-057	Viton Rubber Washer
8	INS-000-056	1 1/2" Firing Sub Insulator
9		3/8-16 Hex Nut



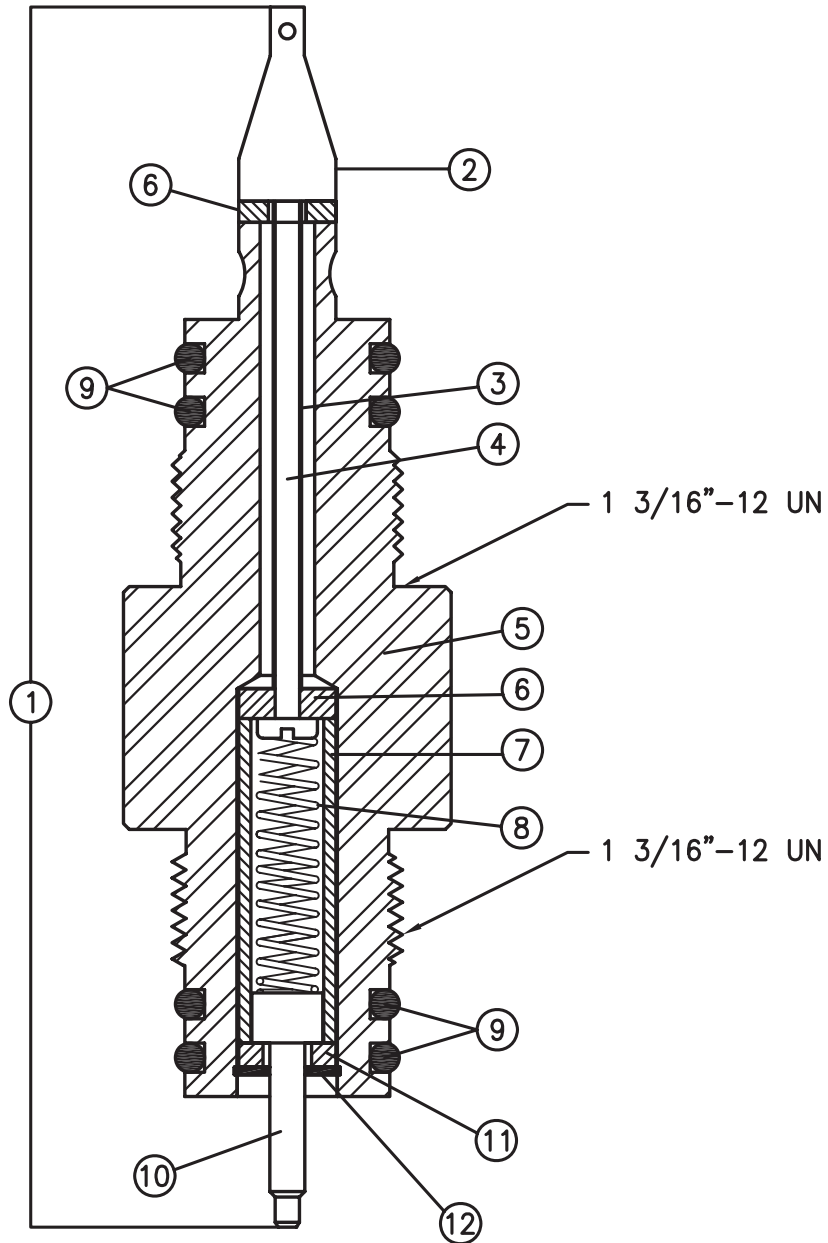
NO.	PART #	DESCRIPTION
1	1500-000-003	Go Low Pressure Firing Sub Body
2	CON-000-040	Go Low Pressure Firing Sub Contact
3	ORING-C67-114	114 O-Ring C-67
4	INS-000-058	Teflon Insulating Sleeve
5	KIT-1500-003	Complete Kit Assembly
6	ORING-C67-214	214 O-Ring C-67
7	INS-000-057	Viton Rubber Washer
8	INS-000-056	1 1/2" Firing Sub Insulator
9		3/8-16 Hex Nut



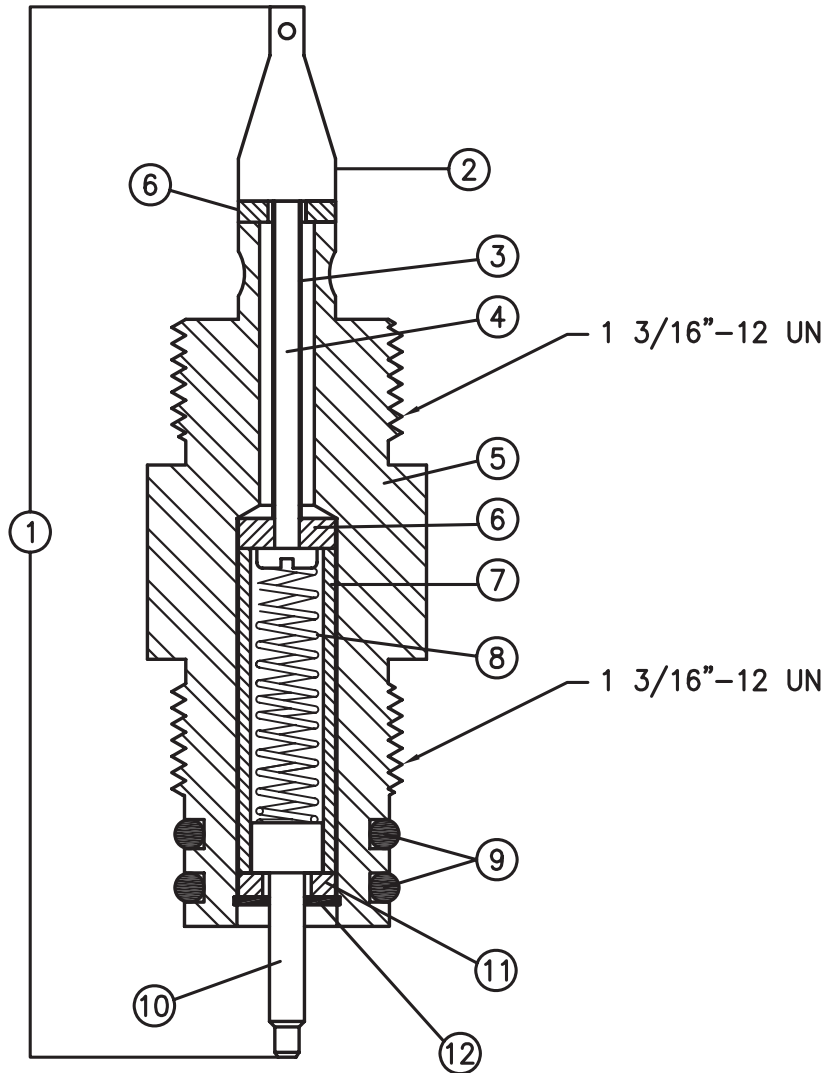
NO.	PART #	DESCRIPTION
1	1625-000-001	Centralizer Anchor Sub
2	1625-000-003	Centralizer Bottom Sub
3	1687-000-011	Centralizer Mandrel
4	1687-000-005	Centralizer Adjustment Nut
5	ROD-1032-30.062	10-32 Contact Rod x 30 1/16"
6	1687-000-007	Centralizer Spacer Washer
7	1625-000-002	Centralizer Spring Collar
8	1687-000-006	Centralizer Adjustment Sleeve
9	1687-000-015	Centralizer Adjustment Collar
10	SCR-003	1/4"-20 Socket Set Screw x .250
11	SPR-000-003	Centralizer Compression Spring
12	INS-000-001	Centralizer Top Sub Insulator
13	CON-000-003	Centralizer Top Sub Contact
14	ORING-C67-111	111 O-Ring C-67
15	INS-000-008	Teflon Insulating Sleeve
16	SCR-002	1/4"-20 Button Head Screw x .250
17	SPR-000-008	Centralizer Bow Spring x 18 1/2"
	SPR-CHF-008	Cent. Bow Spring x 18 1/2", w/ Carbide Hard Face
18	INS-000-005	Go Pin Contact Insulator
19	SPR-000-004	Go Pin Compression Spring
20	INS-000-002	Centralizer Bottom Sub Insulating Washer
21	CON-000-001	Go Pin Contact Plunger
22	ORING-C67-211	211 O-Ring C-67
23	INS-000-004	Go Pin Insulating Washer
24	RET-001	.515 Internal Retainer Ring
25	CON-000-002	Centralizer Bottom Sub Contact
26		10-32 x 3/8" Socket Set Screw



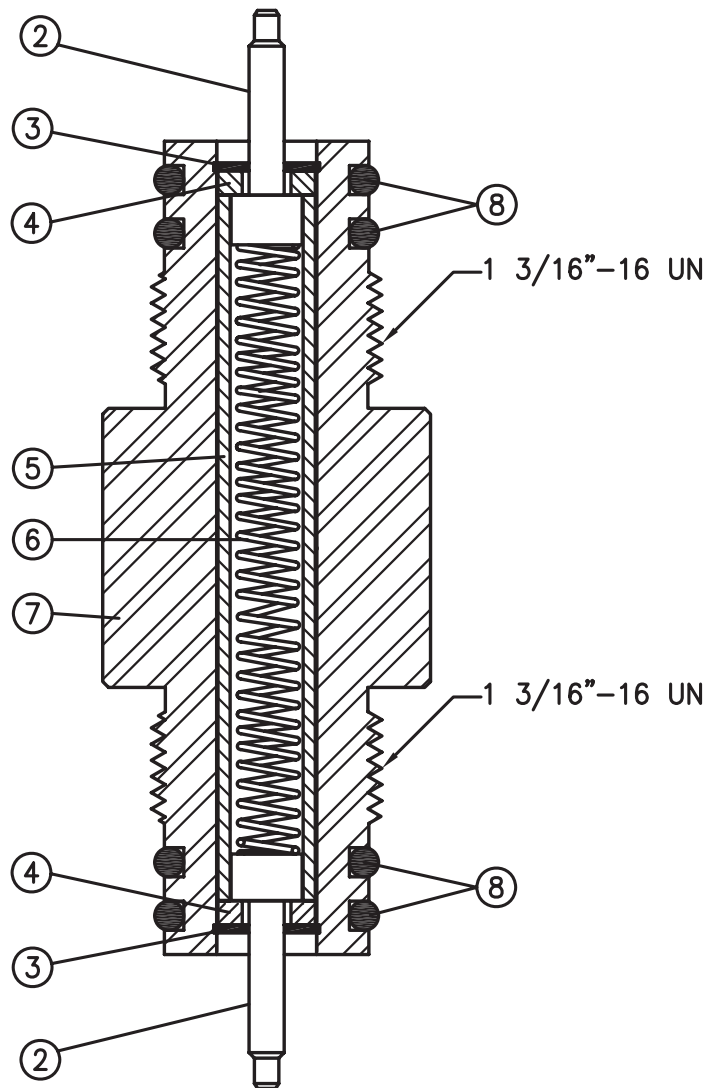
NO.	PART #	DESCRIPTION
1	KIT-1687-060	Complete Kit Assembly
2	CON-000-005	Tear Drop Cone
3	INS-000-003	Insulating Washer
4	INS-000-008	Teflon Insulating Sleeve
5	ROD-1032-1.750	10-32 Contact Rod X 1.750
6	INS-000-032	5/8" Beveled Insulator
7	CON-000-007	Go Box Hex Contact
8	1687-000-060	Contact Sub Body



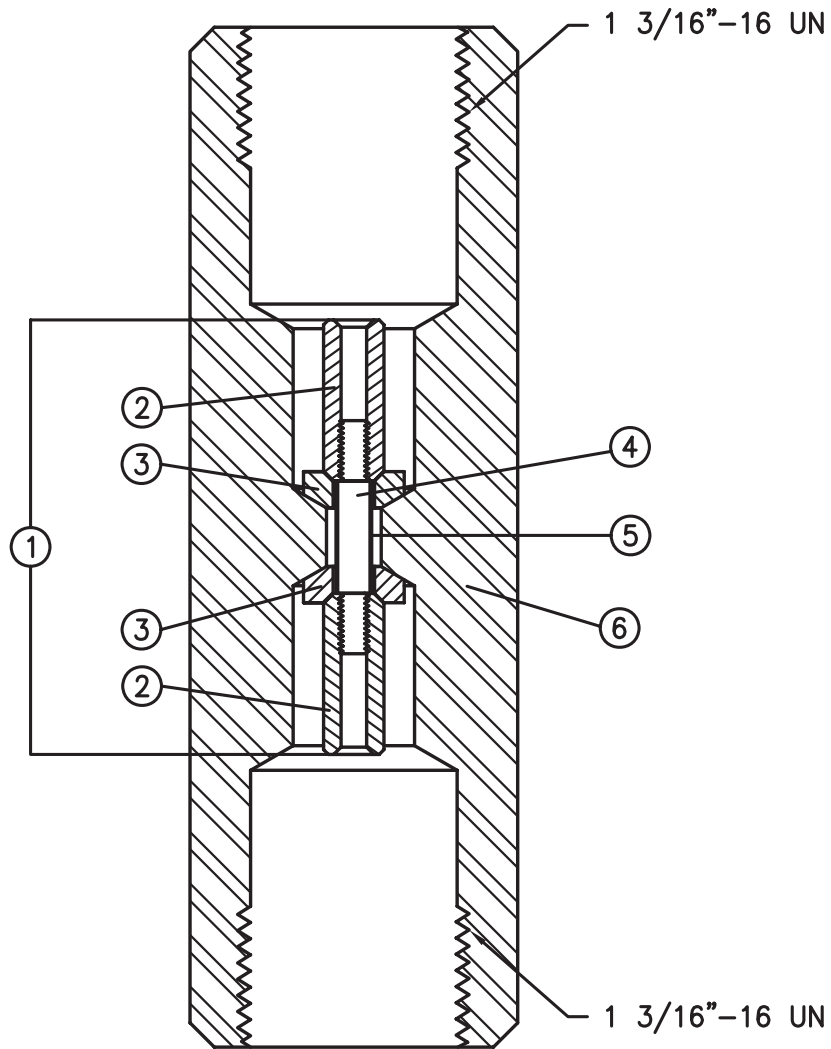
NO.	PART #	DESCRIPTION
1	KIT-1687-074	Complete Kit Assembly
2	CON-000-005	Tear Drop Cone
3	INS-000-008	Teflon Insulating Sleeve
4		10-32 Pan Head Screw 2 7/8" Long
5	1687-000-074	1 11/16" Double Sealed Tear Drop Sub
6	INS-000-003	Insulating Washer
7	INS-000-005	Contact Insulator
8	SPR-000-004	Contact Spring
9	ORING-C67-211	211 O-Ring C-67
10	CON-000-001	Contact Plunger
11	INS-000-004	Plunger Insulating Washer
12	RET-001	.515 Internal Retainer Ring



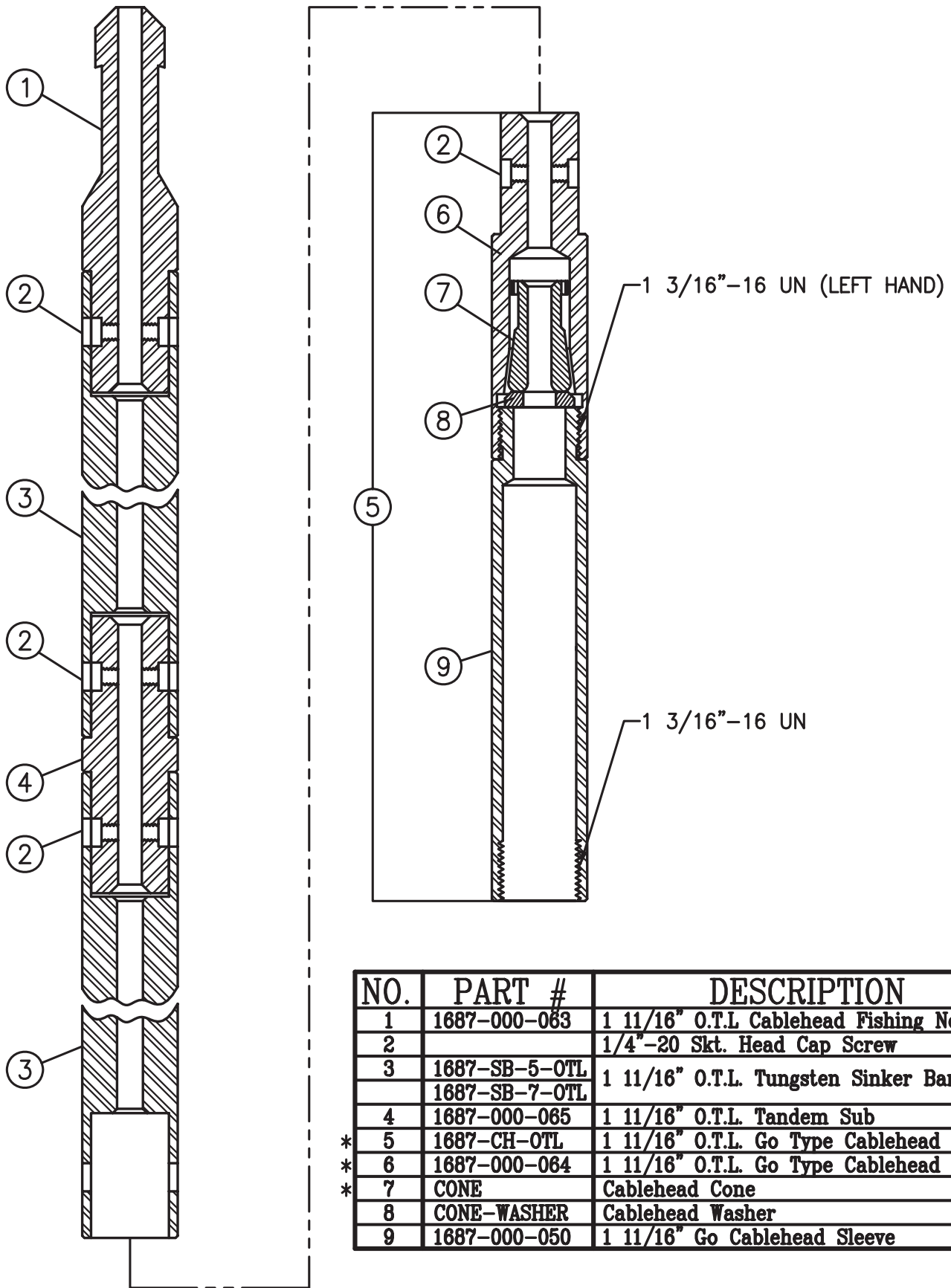
NO.	PART #	DESCRIPTION
1	KIT-1687-048	Complete Kit Assembly
2	CON-000-005	Tear Drop Cone
3	INS-000-008	Teflon Insulating Sleeve
4		10-32 Pan Head Screw 2" Long
5	1687-000-048	1 11/16" Tear Drop Sub
6	INS-000-003	Insulating Washer
7	INS-000-005	Contact Insulator
8	SPR-000-004	Contact Spring
9	ORING-C67-211	211 O-Ring C-67
10	CON-000-001	Contact Plunger
11	INS-000-004	Plunger Insulating Washer
12	RET-001	.515 Internal Retainer Ring



NO.	PART #	DESCRIPTION
1	KIT-1687-053	Complete Kit Assembly
2	CON-000-001	Contact Plunger
3	RET-001	.515 Internal Retainer Ring
4	INS-000-004	Plunger Insulating Washer
5	INS-000-034	Contact Insulator
6	SPR-000-004	Contact Spring
7	1687-000-053	Double Go Pin Body
8	ORING-C67-211	211 O-Ring C-67



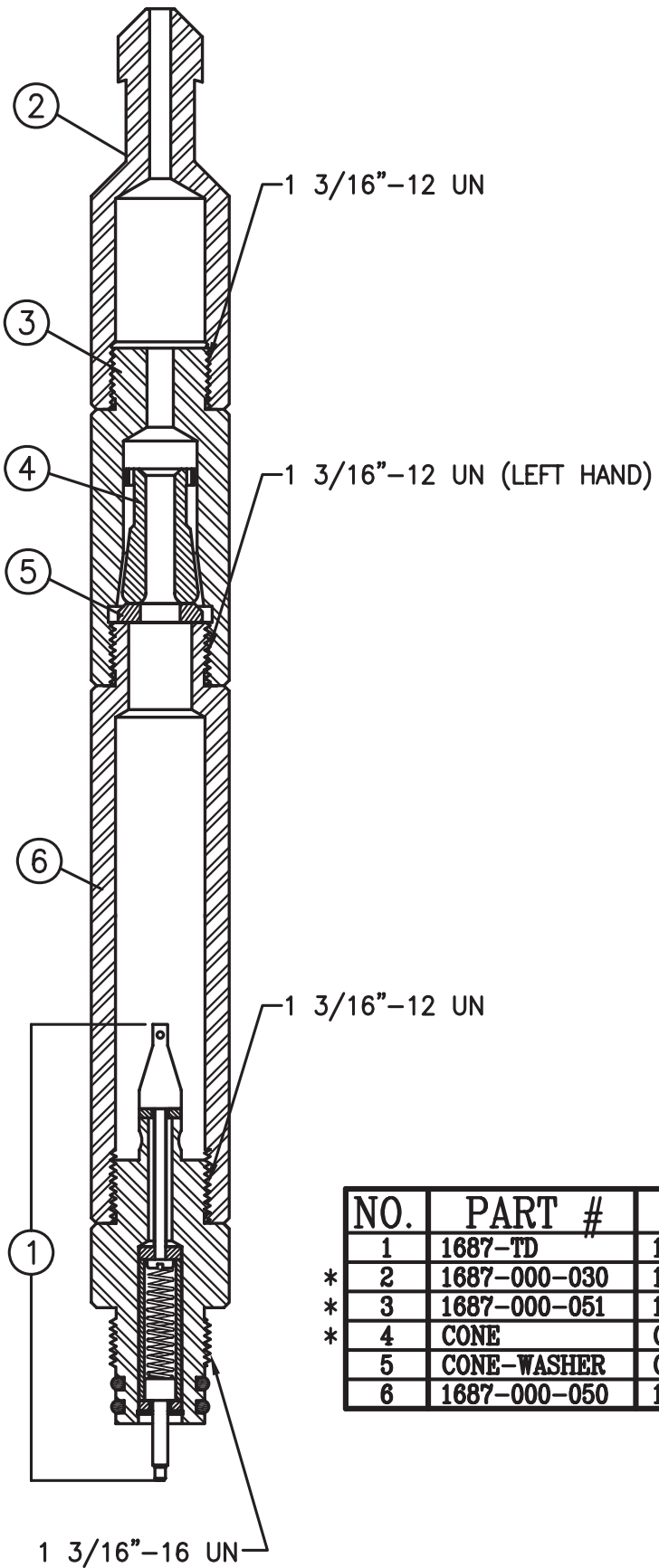
NO.	PART #	DESCRIPTION
1	KIT-1687-052	Complete Kit Assembly
2	CON-000-007	Go Box Contact
3	INS-000-032	Beveled Insulating Washer
4	ROD-1032-1.00	10-32 Contact Rod x 1.200
5	INS-000-008	Teflon Insulating Sleeve
6	1687-000-052	Double Go Box Body



NO.	PART #	DESCRIPTION
1	1687-000-063	1 11/16" O.T.L Cablehead Fishing Neck
2		1/4"-20 Skt. Head Cap Screw
3	1687-SB-5-OTL 1687-SB-7-OTL	1 11/16" O.T.L. Tungsten Sinker Bar
4	1687-000-065	1 11/16" O.T.L. Tandem Sub
* 5	1687-CH-OTL	1 11/16" O.T.L. Go Type Cablehead
* 6	1687-000-064	1 11/16" O.T.L. Go Type Cablehead Body
* 7	CONE	Cablehead Cone
8	CONE-WASHER	Cablehead Washer
9	1687-000-050	1 11/16" Go Cablehead Sleeve

* SPECIFY LINE SIZE WHEN ORDERING

* ASSY #: 1687-CH-OTL



NO.	PART #	DESCRIPTION
1	1687-TD	1 11/16" Go Tear Drop
*	1687-000-030	1 11/16" Split Cablehead Fishing Neck
*	1687-000-051	1 11/16" Split Cablehead Top Sub
*	CONE	Cablehead Cone
	CONE-WASHER	Cablehead Washer
6	1687-000-050	1 11/16" Go Cablehead Sleeve

* SPECIFY LINE SIZE WHEN ORDERING

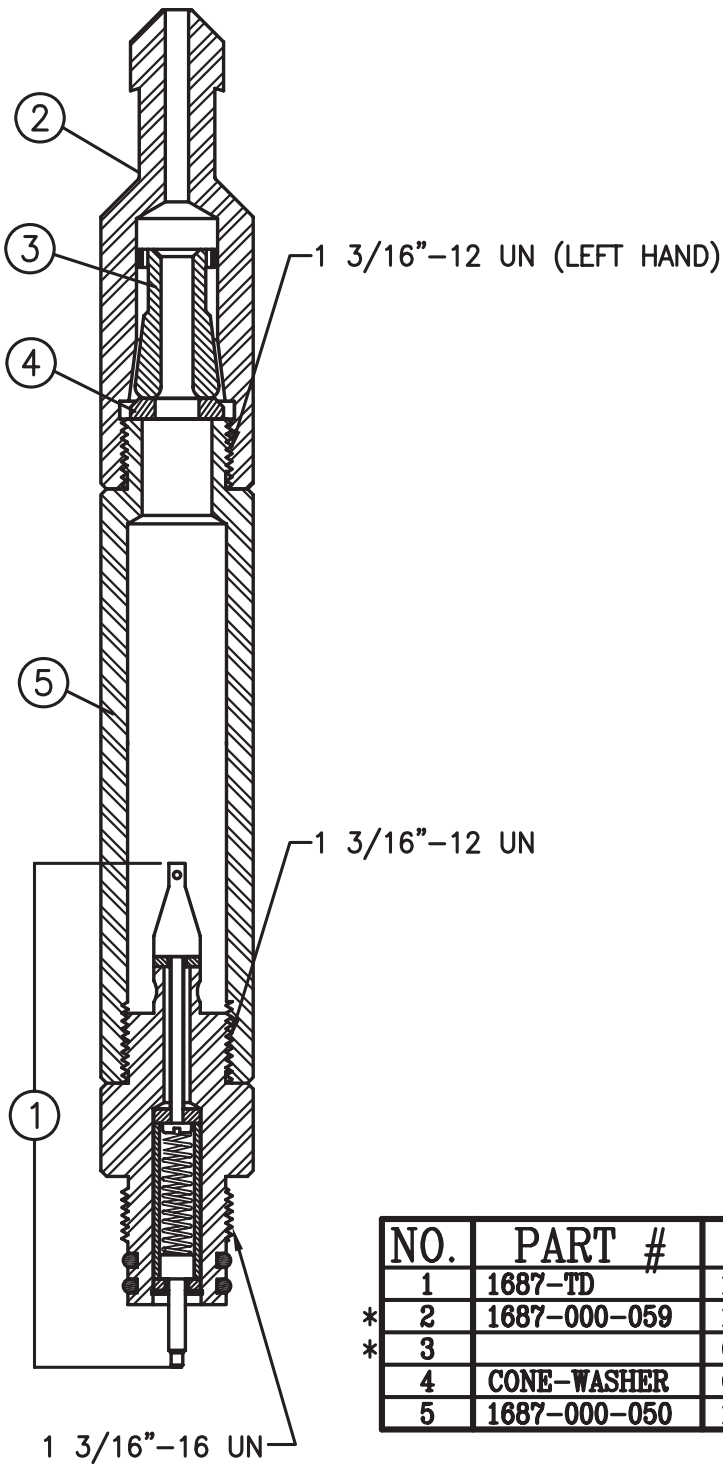
* ASSY #: 1687-CH-GO-SPLIT



www.probe1.com

24/7 Sales and Support +1 (817) 568 8528

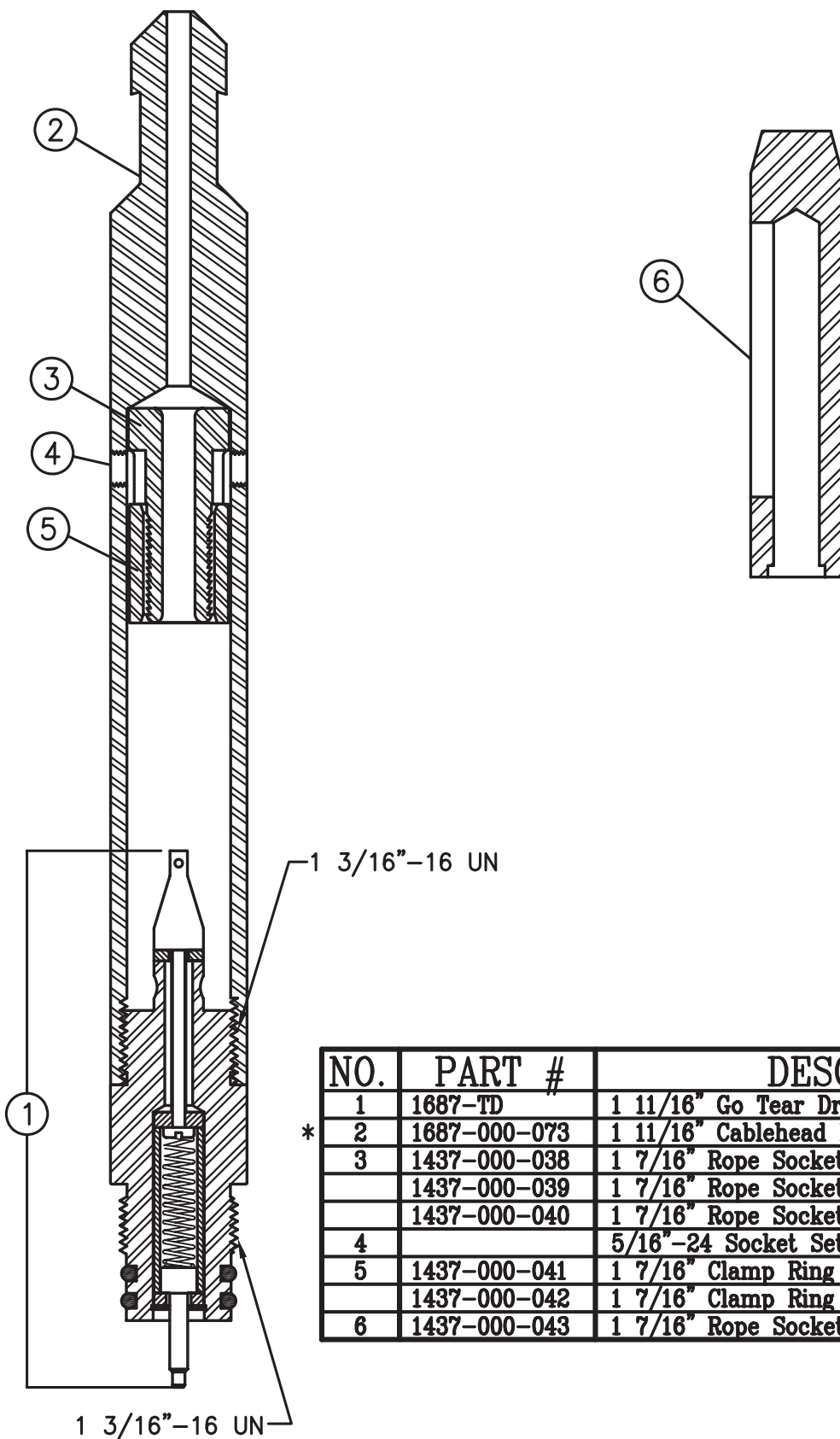
1 11/16" GO SPLIT CABLEHEAD ASSY.



NO.	PART #	DESCRIPTION
1	1687-TD	1 11/16" Go Tear Drop
* 2	1687-000-059	1 11/16" Go Cablehead Fishing Neck
* 3		Cablehead Cone
4	CONE-WASHER	Cablehead Washer
5	1687-000-050	1 11/16" Go Cablehead Sleeve

* SPECIFY LINE SIZE WHEN ORDERING

* ASSY #: 1687-CH-GO



NO.	PART #	DESCRIPTION
1	1687-TD	1 11/16" Go Tear Drop
* 2	1687-000-073	1 11/16" Cablehead Body
3	1437-000-038	1 7/16" Rope Socket Body (5/16" Line)
	1437-000-039	1 7/16" Rope Socket Body (3/16", 7/32" Line)
	1437-000-040	1 7/16" Rope Socket Body (7/16" Line)
4		5/16"-24 Socket Set Screw
5	1437-000-041	1 7/16" Clamp Ring (3/16", 7/32", 5/16" Line)
	1437-000-042	1 7/16" Clamp Ring (7/16" Line)
6	1437-000-043	1 7/16" Rope Socket Tool

* SPECIFY LINE SIZE WHEN ORDERING

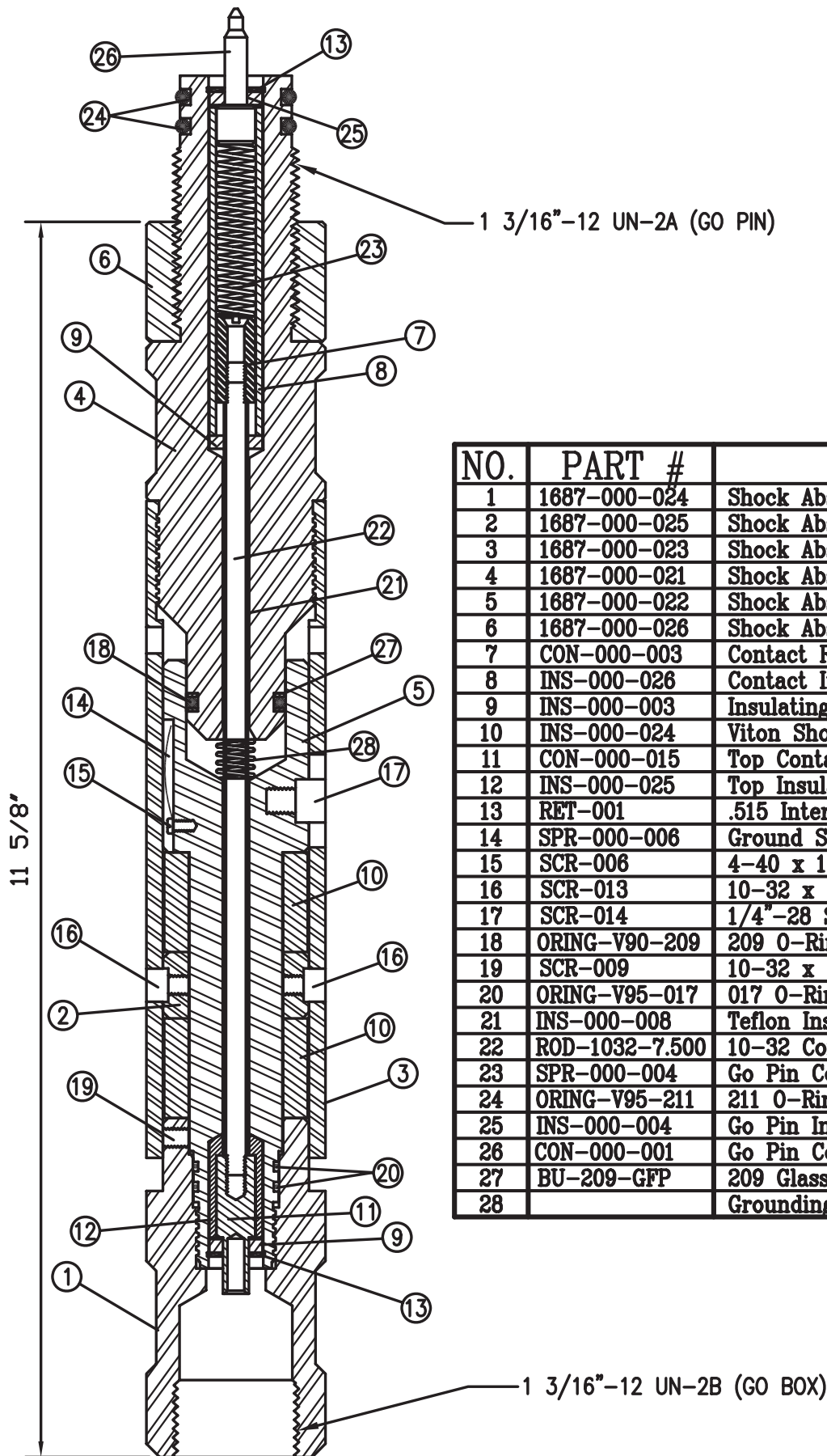
* ASSY #: 1687-CH



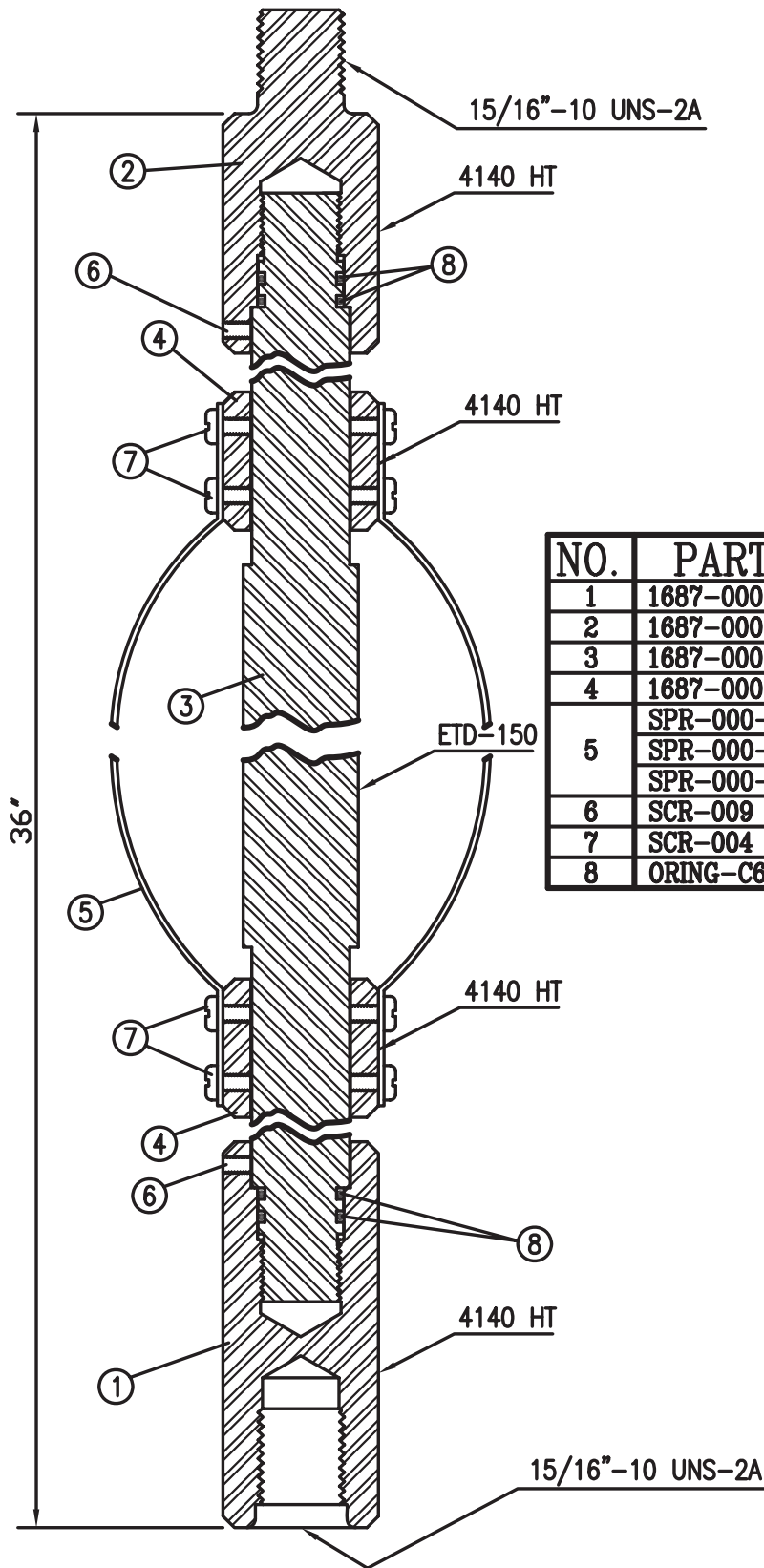
www.probe1.com

24/7 Sales and Support +1 (817) 568 8528

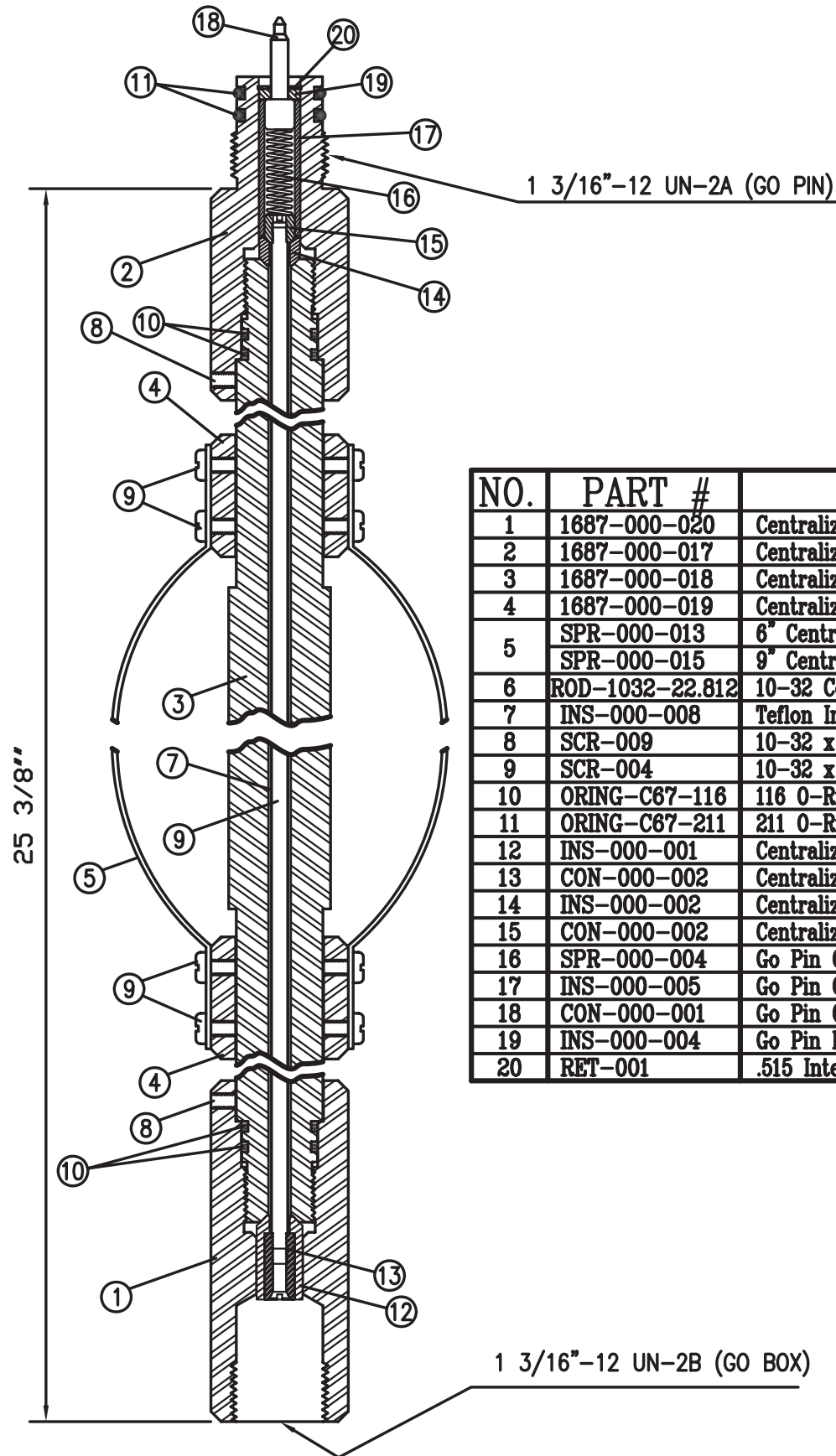
1 11/16" CABLEHEAD ASSY.



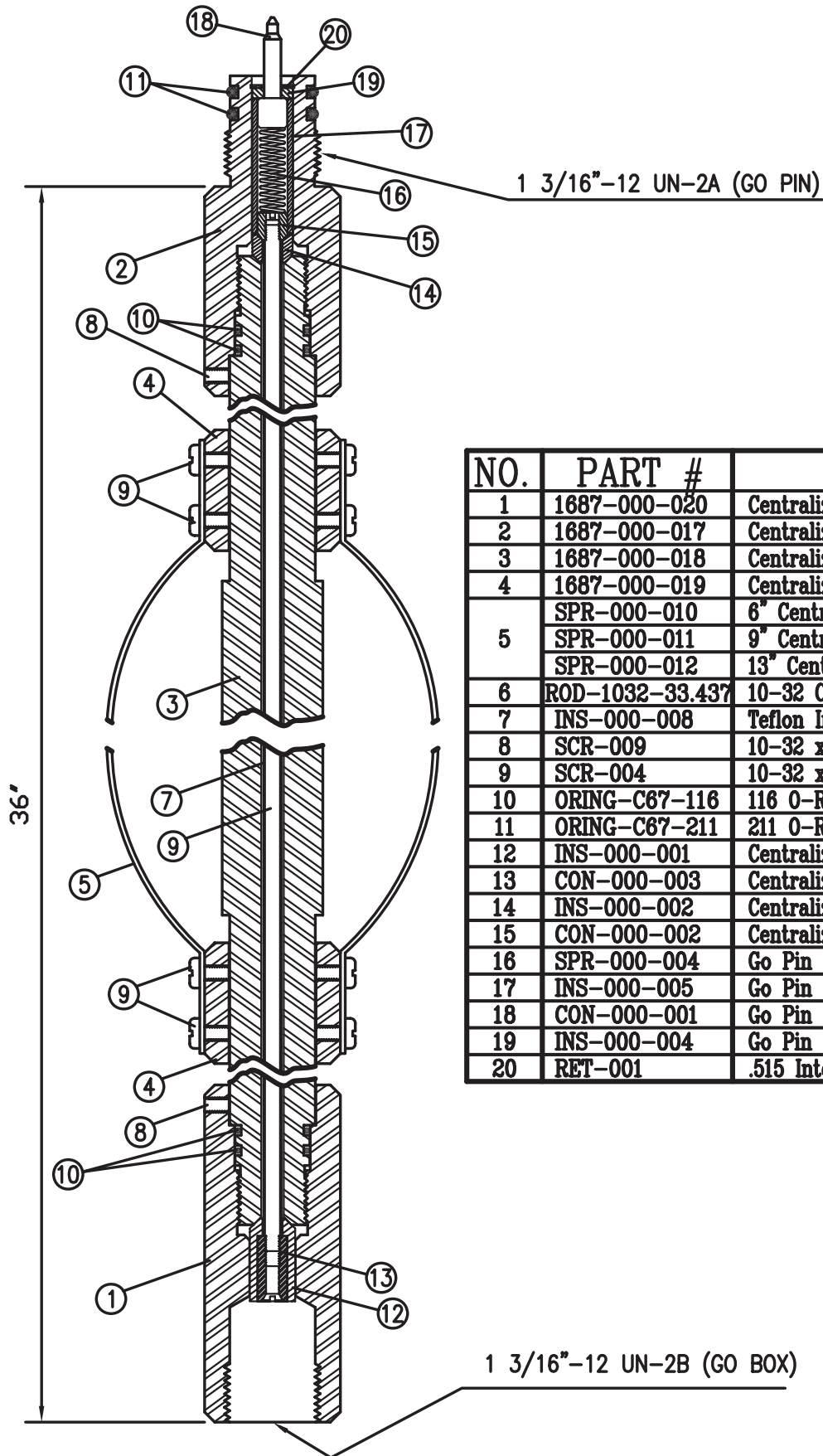
NO.	PART #	DESCRIPTION
1	1687-000-024	Shock Absorber Top Sub
2	1687-000-025	Shock Absorber Bumper Spacer
3	1687-000-023	Shock Absorber Housing
4	1687-000-021	Shock Absorber Bottom Sub
5	1687-000-022	Shock Absorber Mandrel
6	1687-000-026	Shock Absorber Adjustment Nut
7	CON-000-003	Contact Receptacle
8	INS-000-026	Contact Insulator
9	INS-000-003	Insulating Washer
10	INS-000-024	Viton Shock Absorber Bumper
11	CON-000-015	Top Contact
12	INS-000-025	Top Insulator
13	RET-001	.515 Internal Retainer Ring
14	SPR-000-006	Ground Spring
15	SCR-006	4-40 x 1/8" S.S. Pan Head Screw
16	SCR-013	10-32 x 3/16" Socket Head Cap Screw
17	SCR-014	1/4"-28 Socket Head Cap Screw
18	ORING-V90-209	209 O-Ring VITON 90
19	SCR-009	10-32 x 1/4" Socket set Screw
20	ORING-V95-017	017 O-Ring VITON 95
21	INS-000-008	Teflon Insulating Sleeve
22	ROD-1032-7.500	10-32 Contact Rod x 7.500
23	SPR-000-004	Go Pin Compression Spring
24	ORING-V95-211	211 O-Ring VITON 95
25	INS-000-004	Go Pin Insulating Washer
26	CON-000-001	Go Pin Contact Plunger
27	BU-209-GFP	209 Glass Filled Peek Backup Ring
28		Grounding Compression Spring



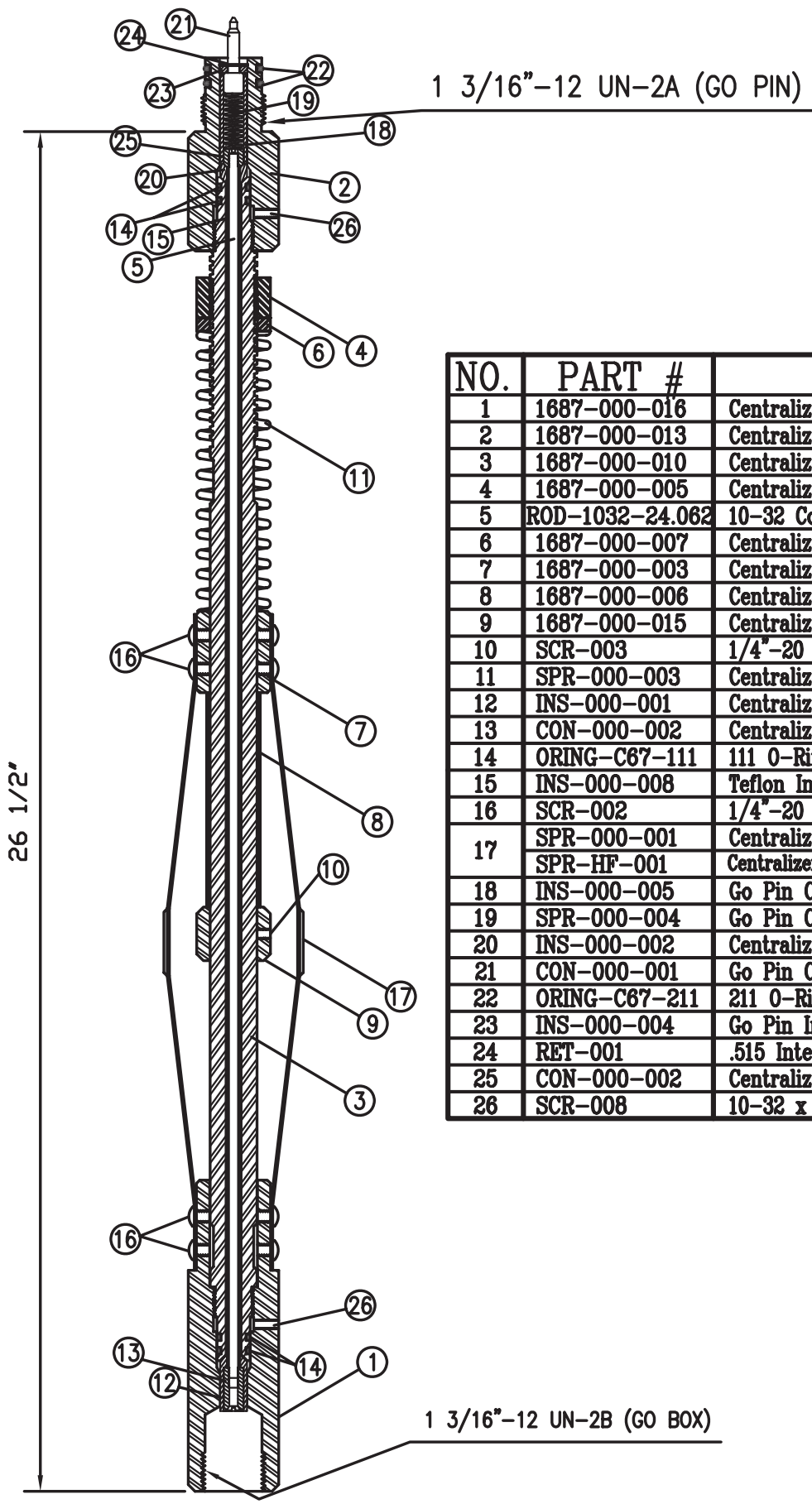
NO.	PART #	DESCRIPTION
1	1687-000-066	Sucker Rod Centralizer Top Sub
2	1687-000-067	Sucker Rod Centralizer Bottom Sub
3	1687-000-077	Sucker Rod Centralizer Mandrel
4	1687-000-019	Centralizer Collar
5	SPR-000-010	6" Centralizer Spring
	SPR-000-011	9" Centralizer Spring
	SPR-000-012	13" Centralizer Spring
6	SCR-009	10-32 x 1/4" Skt. Set Screw
7	SCR-004	10-32 x 1/4" Pan Head Screw
8	ORING-C67-116	116 O-Ring C-67



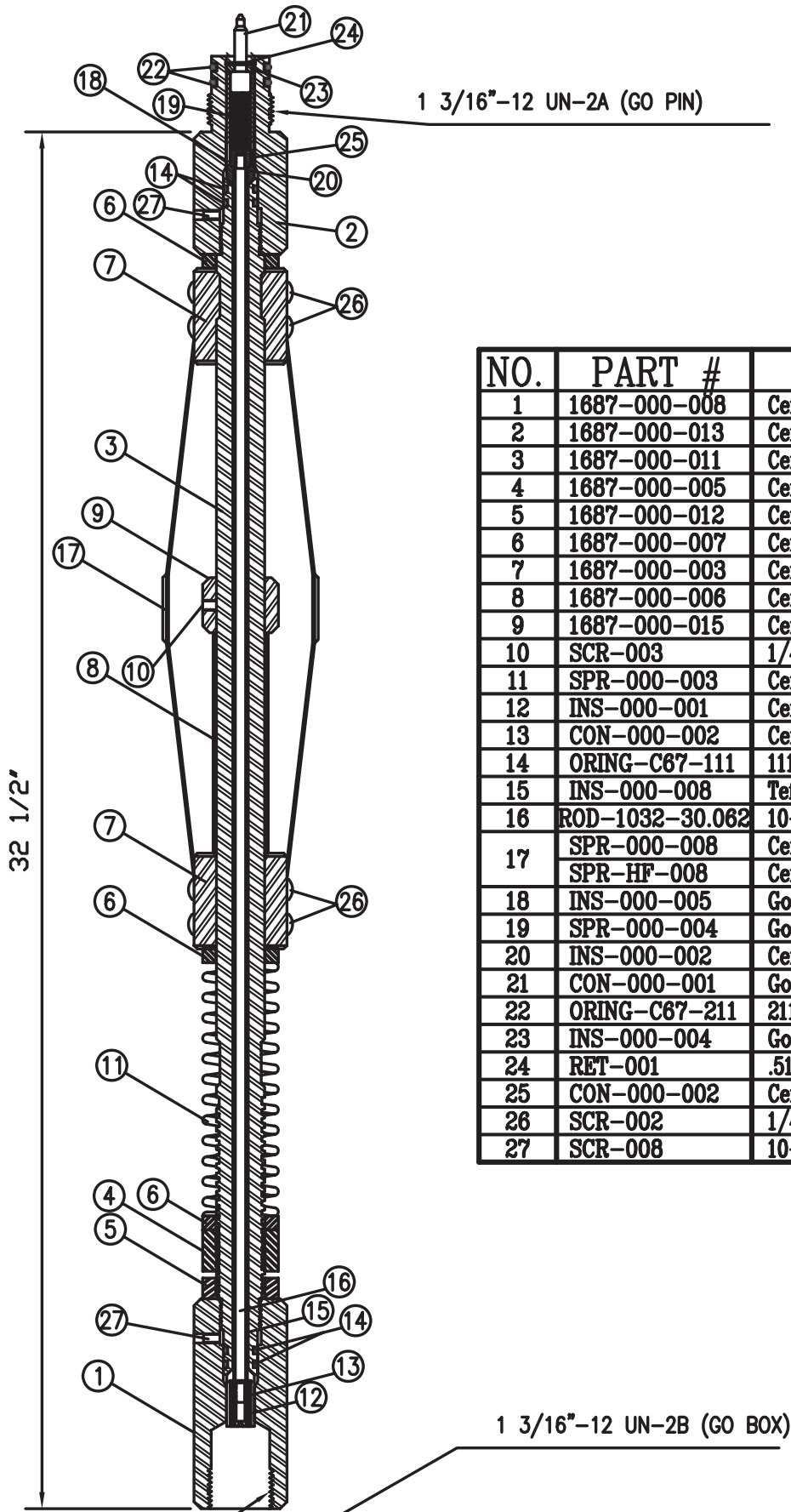
NO.	PART #	DESCRIPTION
1	1687-000-020	Centralizer Top Sub
2	1687-000-017	Centralizer Bottom Sub
3	1687-000-018	Centralizer Mandrel
4	1687-000-019	Centralizer Collar
5	SPR-000-013	6" Centralizer Spring
	SPR-000-015	9" Centralizer Spring
6	ROD-1032-22.812	10-32 Contact Rod x 22.812
7	INS-000-008	Teflon Insulating Sleeve
8	SCR-009	10-32 x 1/4" Skt. Set Screw
9	SCR-004	10-32 x 1/4" Pan Head Screw
10	ORING-C67-116	116 O-Ring C-67
11	ORING-C67-211	211 O-Ring C-67
12	INS-000-001	Centralizer Top Sub Insulator
13	CON-000-002	Centralizer Top Sub Contact
14	INS-000-002	Centralizer Bottom Sub Insulating Washer
15	CON-000-002	Centralizer Bottom Sub Contact
16	SPR-000-004	Go Pin Compression Spring
17	INS-000-005	Go Pin Contact Insulator
18	CON-000-001	Go Pin Contact Plunger
19	INS-000-004	Go Pin Insulating Washer
20	RET-001	.515 Internal Retainer Ring



NO.	PART #	DESCRIPTION
1	1687-000-020	Centralizer Top Sub
2	1687-000-017	Centralizer Bottom Sub
3	1687-000-018	Centralizer Mandrel
4	1687-000-019	Centralizer Collar
5	SPR-000-010	6" Centralizer Spring
	SPR-000-011	9" Centralizer Spring
	SPR-000-012	13" Centralizer Spring
6	ROD-1032-33.437	10-32 Contact Rod x 33.437
7	INS-000-008	Teflon Insulating Sleeve
8	SCR-009	10-32 x 1/4" Skt. Set Screw
9	SCR-004	10-32 x 1/4" Pan Head Screw
10	ORING-C67-116	116 O-Ring C-67
11	ORING-C67-211	211 O-Ring C-67
12	INS-000-001	Centralizer Top Sub Insulator
13	CON-000-003	Centralizer Top Sub Contact
14	INS-000-002	Centralizer Bottom Sub Insulating Washer
15	CON-000-002	Centralizer Bottom Sub Contact
16	SPR-000-004	Go Pin Compression Spring
17	INS-000-005	Go Pin Contact Insulator
18	CON-000-001	Go Pin Contact Plunger
19	INS-000-004	Go Pin Insulating Washer
20	RET-001	.515 Internal Retainer Ring

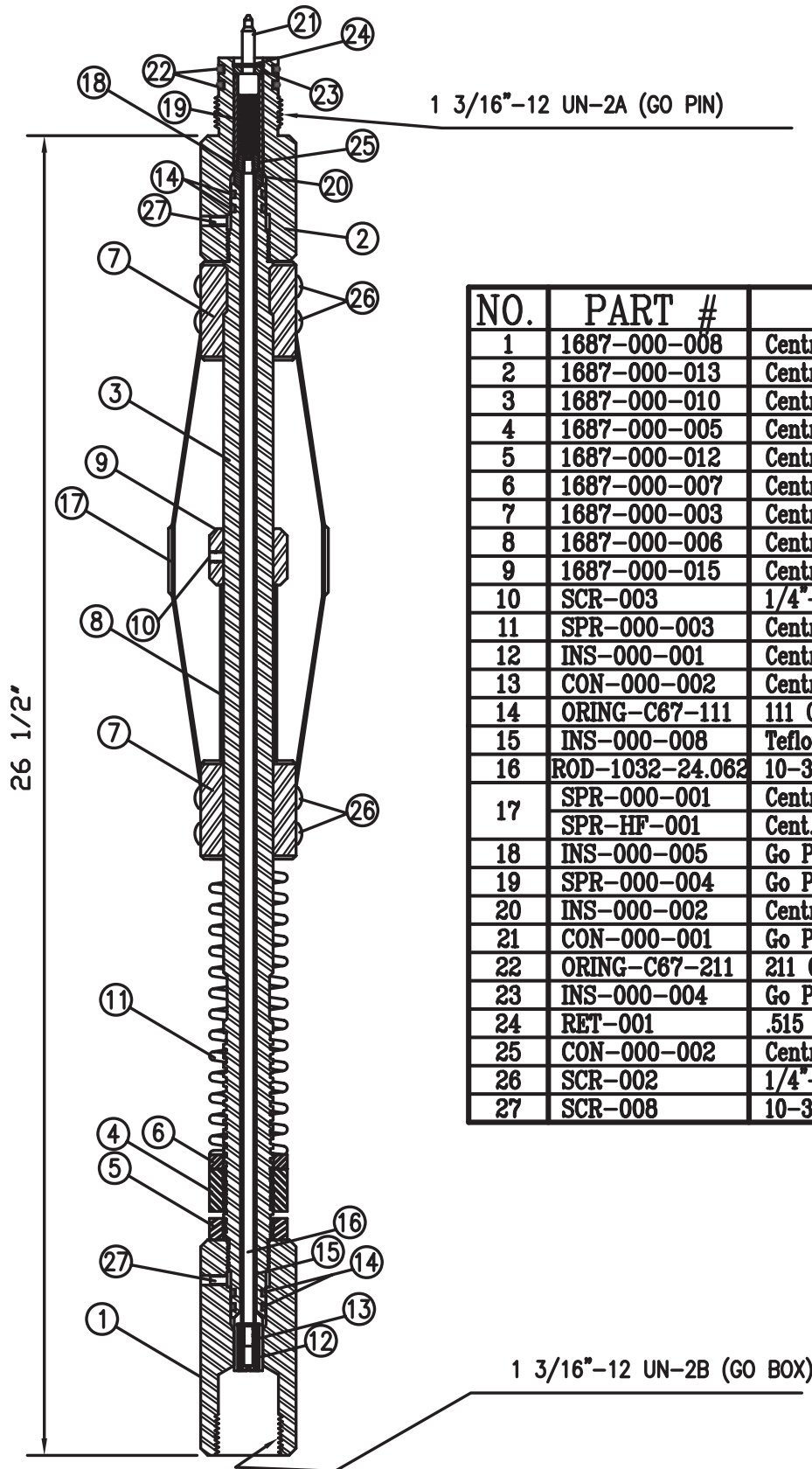


NO.	PART #	DESCRIPTION
1	1687-000-016	Centralizer Top Sub
2	1687-000-013	Centralizer Bottom Sub
3	1687-000-010	Centralizer Mandrel
4	1687-000-005	Centralizer Adjustment Nut
5	ROD-1032-24.062	10-32 Contact Rod x 24.062"
6	1687-000-007	Centralizer Spacer Washer
7	1687-000-003	Centralizer Spring Collar
8	1687-000-006	Centralizer Adjustment Sleeve
9	1687-000-015	Centralizer Adjustment Collar
10	SCR-003	1/4"-20 Socket Set Screw x .250
11	SPR-000-003	Centralizer Compression Spring
12	INS-000-001	Centralizer Top Sub Insulator
13	CON-000-002	Centralizer Top Sub Contact
14	ORING-C67-111	111 O-Ring C-67
15	INS-000-008	Teflon Insulating Sleeve
16	SCR-002	1/4"-20 Button Head Screw x .250
17	SPR-000-001	Centralizer Bow Spring x 12 5/8"
	SPR-HF-001	Centralizer Bow Spring x 12 5/8", w/ Hard Face
18	INS-000-005	Go Pin Contact Insulator
19	SPR-000-004	Go Pin Compression Spring
20	INS-000-002	Centralizer Bottom Sub Insulating Washer
21	CON-000-001	Go Pin Contact Plunger
22	ORING-C67-211	211 O-Ring C-67
23	INS-000-004	Go Pin Insulating Washer
24	RET-001	.515 Internal Retainer Ring
25	CON-000-002	Centralizer Bottom Sub Contact
26	SCR-008	10-32 x 1/2" Socket Set Screw



NO.	PART #	DESCRIPTION
1	1687-000-008	Centralizer Top Sub
2	1687-000-013	Centralizer Bottom Sub
3	1687-000-011	Centralizer Mandrel
4	1687-000-005	Centralizer Adjustment Nut
5	1687-000-012	Centralizer Jam Nut
6	1687-000-007	Centralizer Spacer Washer
7	1687-000-003	Centralizer Spring Collar
8	1687-000-006	Centralizer Adjustment Sleeve
9	1687-000-015	Centralizer Adjustment Collar
10	SCR-003	1/4"-20 Socket Set Screw x .250
11	SPR-000-003	Centralizer Compression Spring
12	INS-000-001	Centralizer Top Sub Insulator
13	CON-000-002	Centralizer Top Sub Contact
14	ORING-C67-111	111 O-Ring C-67
15	INS-000-008	Teflon Insulating Sleeve
16	ROD-1032-30.062	10-32 Contact Rod x 30 1/16"
17	SPR-000-008	Centralizer Bow Spring x 18 1/2"
	SPR-HF-008	Cent. Bow Spring x 18 1/2", w/ Hard Face
18	INS-000-005	Go Pin Contact Insulator
19	SPR-000-004	Go Pin Compression Spring
20	INS-000-002	Centralizer Bottom Sub Insulating Washer
21	CON-000-001	Go Pin Contact Plunger
22	ORING-C67-211	211 O-Ring C-67
23	INS-000-004	Go Pin Insulating Washer
24	RET-001	.515 Internal Retainer Ring
25	CON-000-002	Centralizer Bottom Sub Contact
26	SCR-002	1/4"-20 Button Head Screw x .250
27	SCR-008	10-32 X 1/2" Socket Set Screw

70
ASSY #: 1687-CENT-EXT



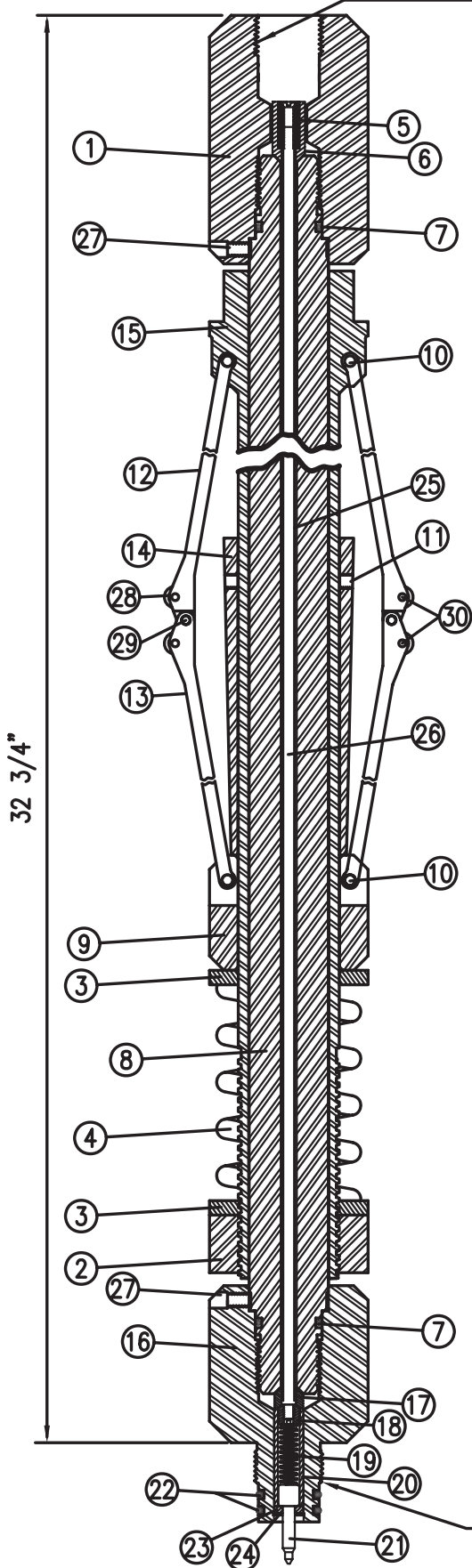
1 3/16"-12 UN-2A (GO PIN)

26 1/2"

1 3/16"-12 UN-2B (GO BOX)

NO.	PART #	DESCRIPTION
1	1687-000-008	Centralizer Top Sub
2	1687-000-013	Centralizer Bottom Sub
3	1687-000-010	Centralizer Mandrel
4	1687-000-005	Centralizer Adjustment Nut
5	1687-000-012	Centralizer Jam Nut
6	1687-000-007	Centralizer Spacer Washer
7	1687-000-003	Centralizer Spring Collar
8	1687-000-006	Centralizer Adjustment Sleeve
9	1687-000-015	Centralizer Adjustment Collar
10	SCR-003	1/4"-20 Socket Set Screw x .250
11	SPR-000-003	Centralizer Compression Spring
12	INS-000-001	Centralizer Top Sub Insulator
13	CON-000-002	Centralizer Top Sub Contact
14	ORING-C67-111	111 O-Ring C-67
15	INS-000-008	Teflon Insulating Sleeve
16	ROD-1032-24.062	10-32 Contact Rod x 24 1/16"
17	SPR-000-001	Centralizer Bow Spring x 12 5/8"
	SPR-HF-001	Cent. Bow Spring x 12 5/8", w/ Hard Face
18	INS-000-005	Go Pin Contact Insulator
19	SPR-000-004	Go Pin Compression Spring
20	INS-000-002	Centralizer Bottom Sub Insulating Washer
21	CON-000-001	Go Pin Contact Plunger
22	ORING-C67-211	211 O-Ring C-67
23	INS-000-004	Go Pin Insulating Washer
24	RET-001	.515 Internal Retainer Ring
25	CON-000-002	Centralizer Bottom Sub Contact
26	SCR-002	1/4"-20 Button Head Screw x .250
27	SCR-008	10-32 X 1/2" Socket Set Screw

1 3/16"-12 UN-2B (GO BOX)



NO.	PART #	DESCRIPTION
1	2250-000-004	Bow Spring Centralizer Top Sub
2	2250-000-007	Bow Spring Centralizer Adjustment Nut
3	2250-000-011	Bow Spring Centralizer Spacer
4	SPR-000-009	Bow Spring Centralizer Compression Spring
5	CON-000-003	Bow Spring Centralizer Top Sub Contact
6	INS-000-001	Bow Spring Centralizer Top Sub Insulator
7	ORING-C67-209	209 O-Ring C-67
8	2250-000-006	Bow Spring Centralizer Mandrel
9	2250-000-010	Bow Spring Centralizer Spring Collar
10	RP-001	1/4" x 1 1/8" Spirol Roll Pin
11	SCR-003	1/4"-20 Socket Set Screw x .250
12	2250-000-012	2 1/4" Roller Centralizer Left Arm
13	2250-000-013	2 1/4" Roller Centralizer Right Arm
14	2250-000-015	Bow Spring Centralizer Adjustment Collar
15	2250-000-003	Bow Spring Centralizer Rotating Sleeve
16	2250-000-005	Bow Spring Centralizer Bottom Sub
17	INS-000-002	Bow Spring Centralizer Bottom Sub Insulator
18	CON-000-002	Bow Spring Centralizer Bottom Sub Contact
19	SPR-000-004	Go Pin Compression Spring
20	INS-000-005	Contact Insulator
21	CON-000-001	Go Pin Contact Plunger
22	ORING-C67-211	211 O-Ring C-67
23	INS-000-004	Go Pin Insulating Washer
24	RET-001	.515 Internal Retainer Ring
25	INS-000-008	Teflon Insulating Sleeve
26	ROD-1032-30.187	10-32 Contact Rod x 30.187
27	SCR-011	1/4"-20 Socket Set Screw x .375
28	2750-000-044	Roller Centralizer Wheel
29	2750-000-021	Roller Centralizer Arm Connector Shaft
30	RP-002	7/32" x 7/8" Spirol Roll Pin

1 3/16"-12 UN-2A (GO PIN)

72

ASSY #: 2250-ROLLER-CENT

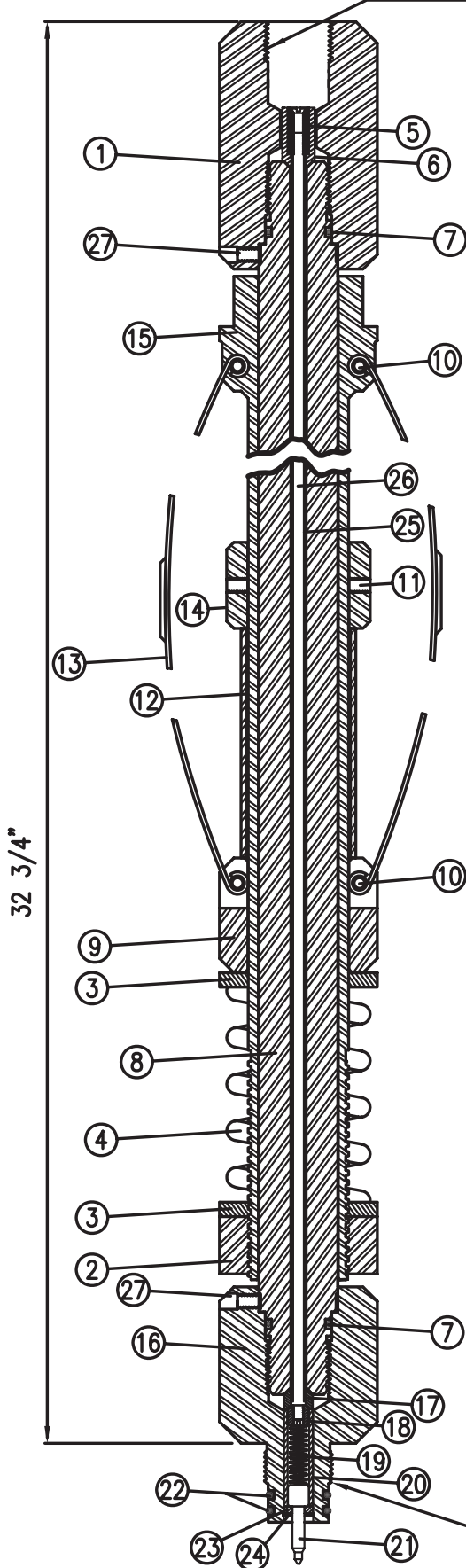


www.probe1.com

24/7 Sales and Support +1 (817) 568 8528

2 1/4" ROLLER CENTRALIZER

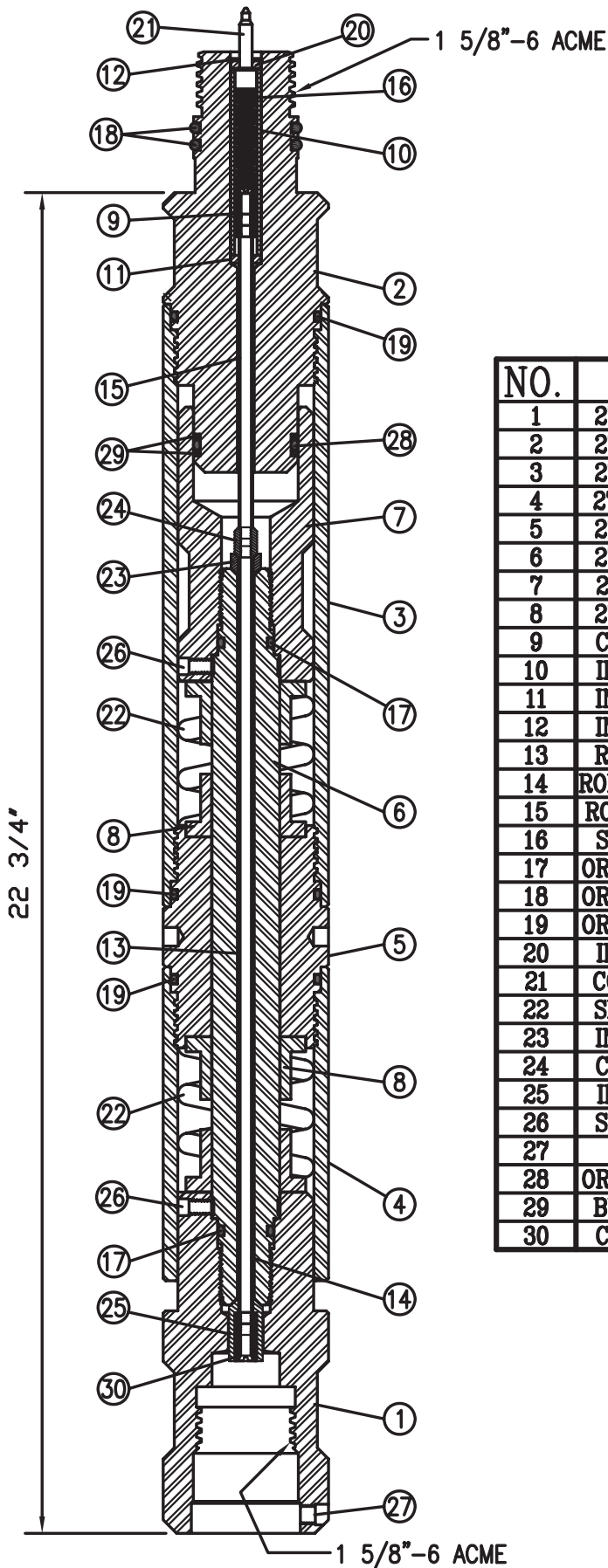
1 3/16"-12 UN-2B (GO BOX)



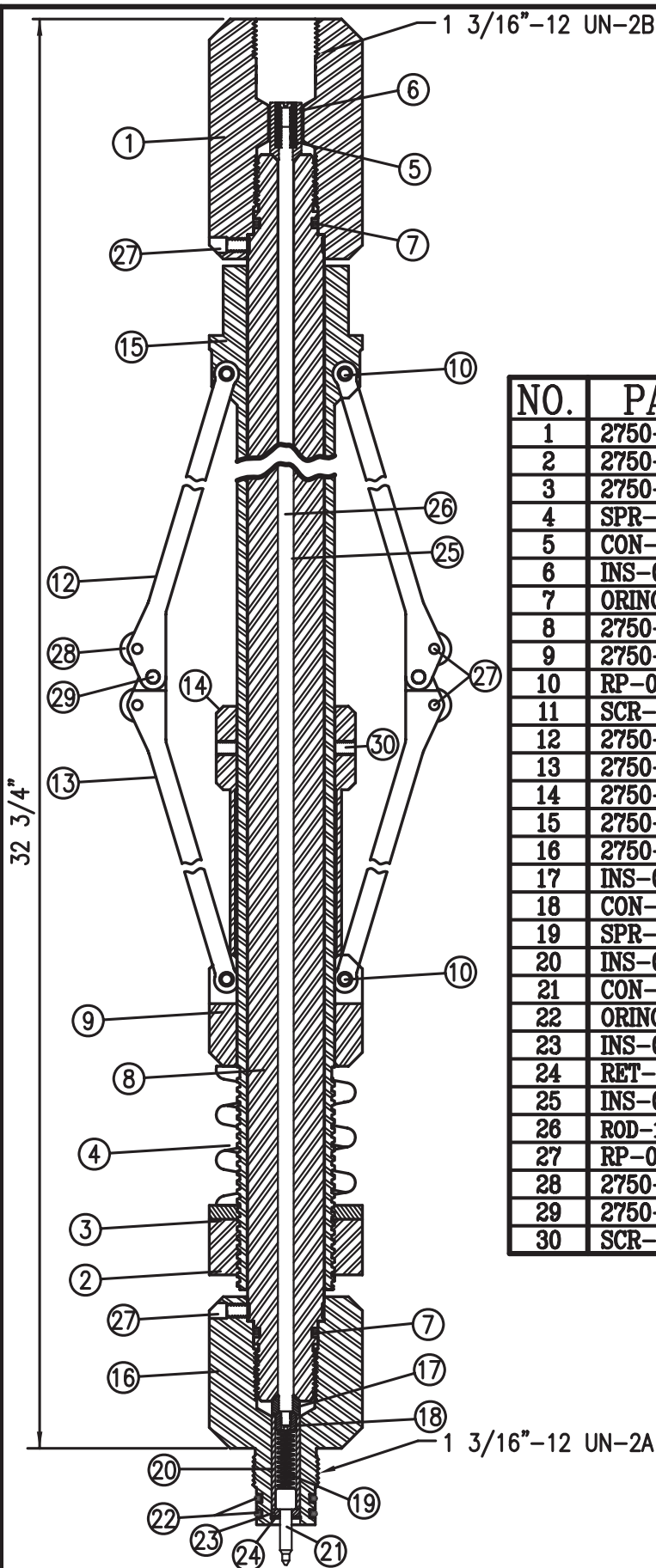
NO.	PART #	DESCRIPTION
1	2250-000-004	Bow Spring Centralizer Top Sub
2	2250-000-007	Bow Spring Centralizer Adjustment Nut
3	2250-000-011	Bow Spring Centralizer Spacer
4	SPR-000-009	Bow Spring Centralizer Compression Spring
5	CON-000-003	Bow Spring Centralizer Top Sub Contact
6	INS-000-001	Bow Spring Centralizer Top Sub Insulator
7	ORING-C67-209	209 O-Ring C-67
8	2250-000-006	Bow Spring Centralizer Mandrel
9	2250-000-010	Bow Spring Centralizer Spring Collar
10	RP-001	1/4" x 1 1/8" Spirol Roll Pin
11	SCR-003	1/4"-20 Socket Set Screw x .250
12	2250-000-008	Bow Spring Centralizer Adjustment Sleeve
13	SPR-000-007	Bow Spring Centralizer Bow Spring
14	2250-000-009	Bow Spring Centralizer Adjustment Collar
15	2250-000-003	Bow Spring Centralizer Rotating Sleeve
16	2250-000-005	Bow Spring Centralizer Bottom Sub
17	INS-000-002	Bow Spring Centralizer Bottom Sub Insulator
18	CON-000-002	Bow Spring Centralizer Bottom Sub Contact
19	SPR-000-004	Go Pin Compression Spring
20	INS-000-005	Contact Insulator
21	CON-000-001	Go Pin Contact Plunger
22	ORING-C67-211	211 O-Ring C-67
23	INS-000-004	Go Pin Insulating Washer
24	RET-001	.515 Internal Retainer Ring
25	INS-000-008	Teflon Insulating Sleeve
26	ROD-1032-30.187	10-32 Contact Rod x 30.187
27	SCR-011	1/4"-20 Socket Set Screw x .375

1 3/16"-12 UN-2A (GO PIN)

ASSY #: 2250-CENT



NO.	PART #	DESCRIPTION
1	2750-000-025	Shock Absorber Bottom Sub
2	2750-000-026	Shock Absorber Top Sub
3	2750-000-027	Shock Absorber Top Housing
4	2750-000-028	Shock Absorber Bottom Housing
5	2750-000-029	Shock Absorber Tandom Sub
6	2750-000-030	Shock Absorber Mandrel
7	2750-000-031	Shock Absorber Mandrel Adapter
8	2750-000-032	Shock Absorber Spacer
9	CON-000-029	Contact Receptacle
10	INS-000-026	Contact Insulator
11	INS-000-003	Insulating Washer
12	INS-000-003	.515 Internal Retainer Ring
13	RET-001	Teflon Insulating Sleeve
14	ROD-1032-12.938	10-32 Contact Rod x 12.938
15	ROD-1032-5.812	10-32 Contact Rod x 5.812
16	SPR-000-004	Go Pin Compression Spring
17	ORING-V95-209	209 O-Ring VITON 95
18	ORING-V95-222	222 O-Ring VITON 95
19	ORING-V95-228	228 O-Ring VITON 95
20	INS-000-004	Go Pin Insulating Washer
21	CON-000-030	Go Pin Contact Plunger
22	SPR-000-018	Shock Sub Compression Spring
23	INS-000-002	Beveled Insulator
24	CON-000-028	Shock Sub Connecting Contact
25	INS-000-001	Bottom Sub Contact Insulator
26	SCR-011	1/4-20 x 3/8" Socket set Screw
27		5/16-24 x 1/4" Socket set Screw
28	ORING-V75-222	222 O-Ring VITON 75
29	BU-RING-222	222 Backup Ring
30	CON-000-003	Contact Receptacle



NO.	PART #	DESCRIPTION
1	2750-000-004	Bow Spring Centralizer Top Sub
2	2750-000-007	Bow Spring Centralizer Adjustment Nut
3	2750-000-011	Bow Spring Centralizer Spacer
4	SPR-250-005	Bow Spring Centralizer Compression Spring
5	CON-000-003	Bow Spring Centralizer Top Sub Contact
6	INS-000-001	Bow Spring Centralizer Top Sub Insulator
7	ORING-C67-212	212 O-Ring C-67
8	2750-000-006	Bow Spring Centralizer Mandrel
9	2750-000-010	Bow Spring Centralizer Spring Collar
10	RP-001	1/4" x 1 1/4" Spirol Roll Pin
11	SCR-011	1/4"-20 Socket Set Screw x .375
12	2750-000-035	2 3/4" Roller Centralizer Right Arm
13	2750-000-034	2 3/4" Roller Centralizer Left Arm
14	2750-000-033	Roller Centralizer Adjustment Collar
15	2750-000-003	Bow Spring Centralizer Rotating Sleeve
16	2750-000-005	Bow Spring Centralizer Bottom Sub
17	INS-000-002	Bow Spring Centralizer Bottom Sub Insulator
18	CON-000-002	Bow Spring Centralizer Bottom Sub Contact
19	SPR-000-004	Go Pin Compression Spring
20	INS-000-005	Contact Insulator
21	CON-000-001	Go Pin Contact Plunger
22	ORING-C67-211	211 O-Ring C-67
23	INS-000-004	Go Pin Insulating Washer
24	RET-001	.515 Internal Retainer Ring
25	INS-000-008	Teflon Insulating Sleeve
26	ROD-1032-30.187	10-32 Contact Rod x 30.187
27	RP-002	7/32" x 7/8" Spirol Roll Pin
28	2750-000-044	Roller Centralizer Wheel
29	2750-000-021	Roller Centralizer Arm Connector Shaft
30	SCR-010	3/8"-24 Socket Set Screw x .250

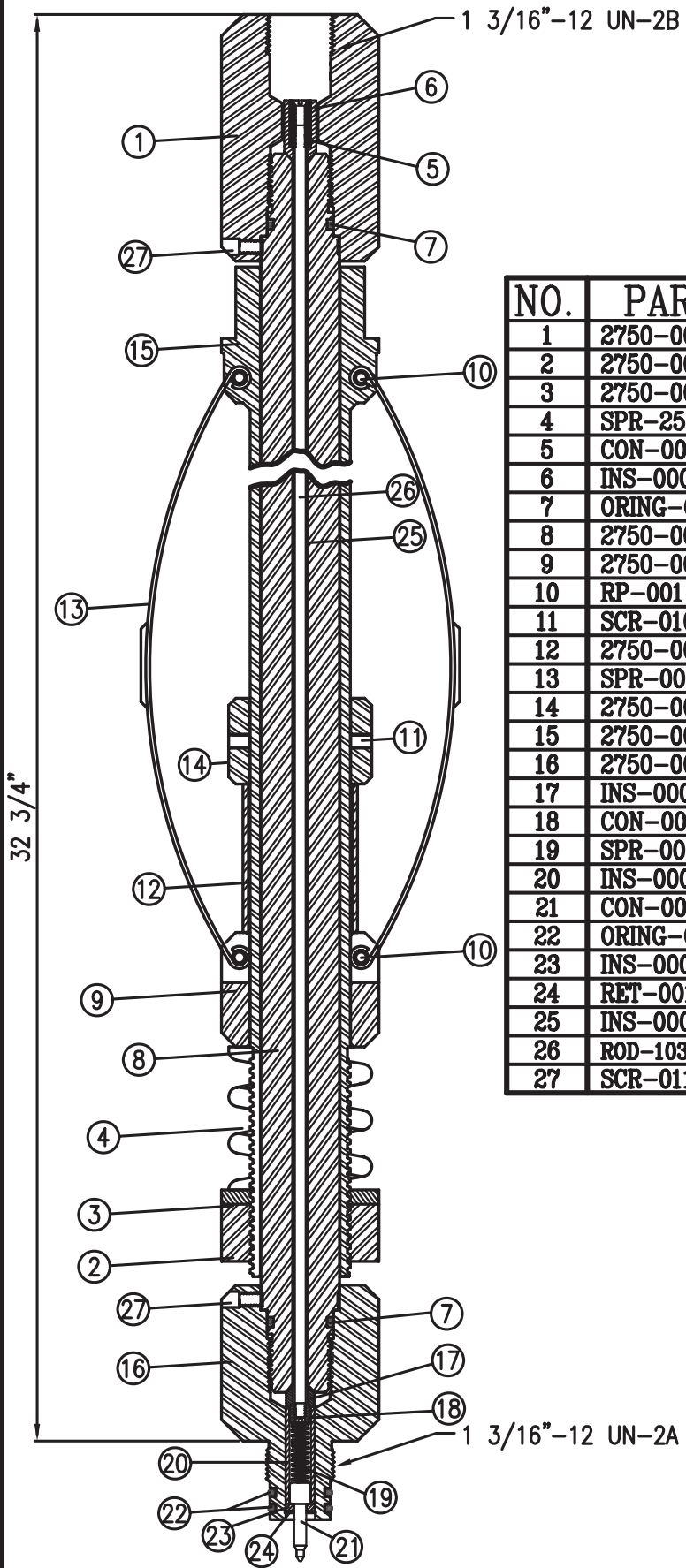
75
ASSY #: 2750-ROLLER-CENT



www.probe1.com

24/7 Sales and Support +1 (817) 568 8528

2 3/4" ROLLER CENTRALIZER



NO.	PART #	DESCRIPTION
1	2750-000-004	Bow Spring Centralizer Top Sub
2	2750-000-007	Bow Spring Centralizer Adjustment Nut
3	2750-000-011	Bow Spring Centralizer Spacer
4	SPR-250-005	Bow Spring Centralizer Compression Spring
5	CON-000-003	Bow Spring Centralizer Top Sub Contact
6	INS-000-001	Bow Spring Centralizer Top Sub Insulator
7	ORING-C67-212	212 O-Ring C-67
8	2750-000-006	Bow Spring Centralizer Mandrel
9	2750-000-010	Bow Spring Centralizer Spring Collar
10	RP-001	1/4" x 1 1/8" Spirol Roll Pin
11	SCR-010	3/8"-24 Socket Set Screw x .312
12	2750-000-008	Bow Spring Centralizer Adjustment Sleeve
13	SPR-000-014	Bow Spring Centralizer Bow Spring
14	2750-000-009	Bow Spring Centralizer Adjustment Collar
15	2750-000-003	Bow Spring Centralizer Rotating Sleeve
16	2750-000-005	Bow Spring Centralizer Bottom Sub
17	INS-000-002	Bow Spring Centralizer Bottom Sub Insulator
18	CON-000-002	Bow Spring Centralizer Bottom Sub Contact
19	SPR-000-004	Go Pin Compression Spring
20	INS-000-005	Contact Insulator
21	CON-000-001	Go Pin Contact Plunger
22	ORING-C67-211	211 O-Ring C-67
23	INS-000-004	Go Pin Insulating Washer
24	RET-001	.515 Internal Retainer Ring
25	INS-000-008	Teflon Insulating Sleeve
26	ROD-1032-30.187	10-32 Contact Rod x 30.187
27	SCR-011	1/4"-20 Socket Set Screw x .375

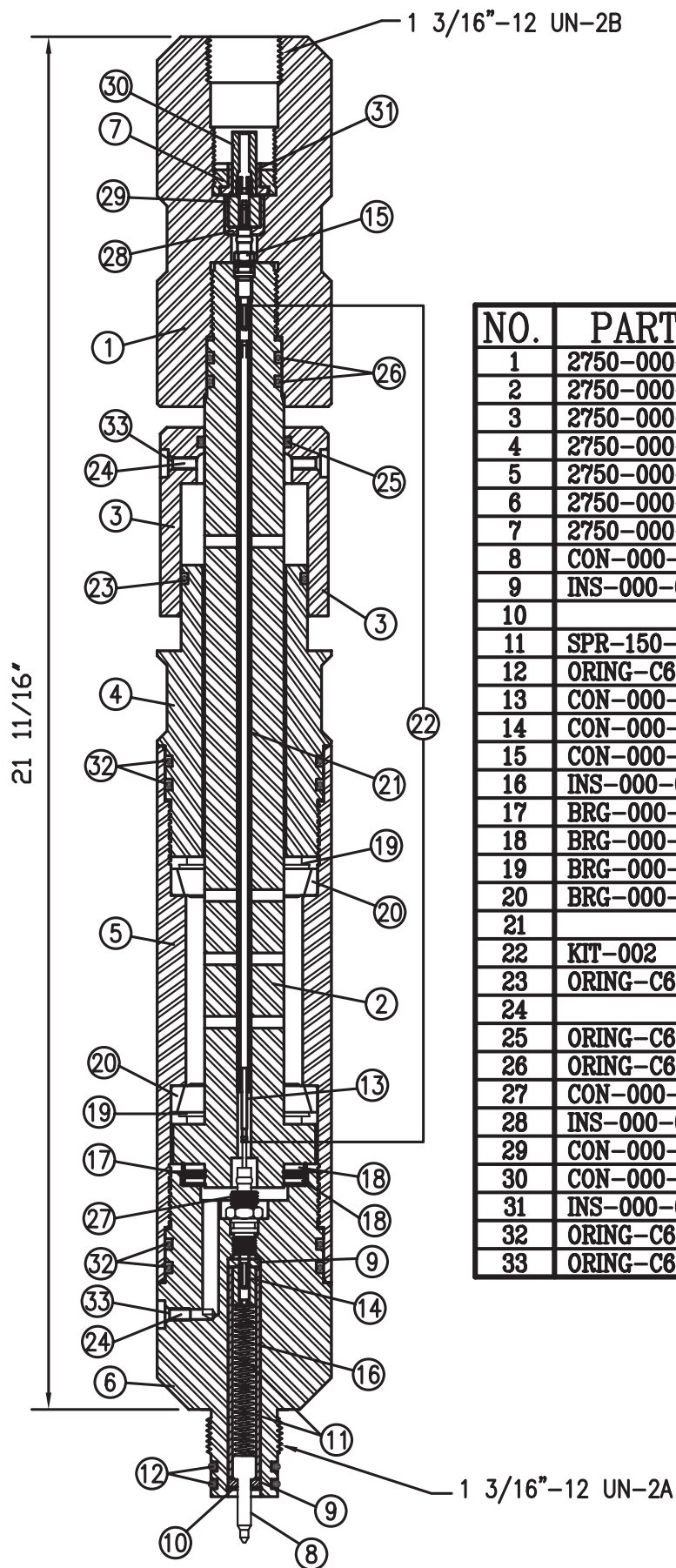
76
ASSY #: 2750-CENT



www.probe1.com

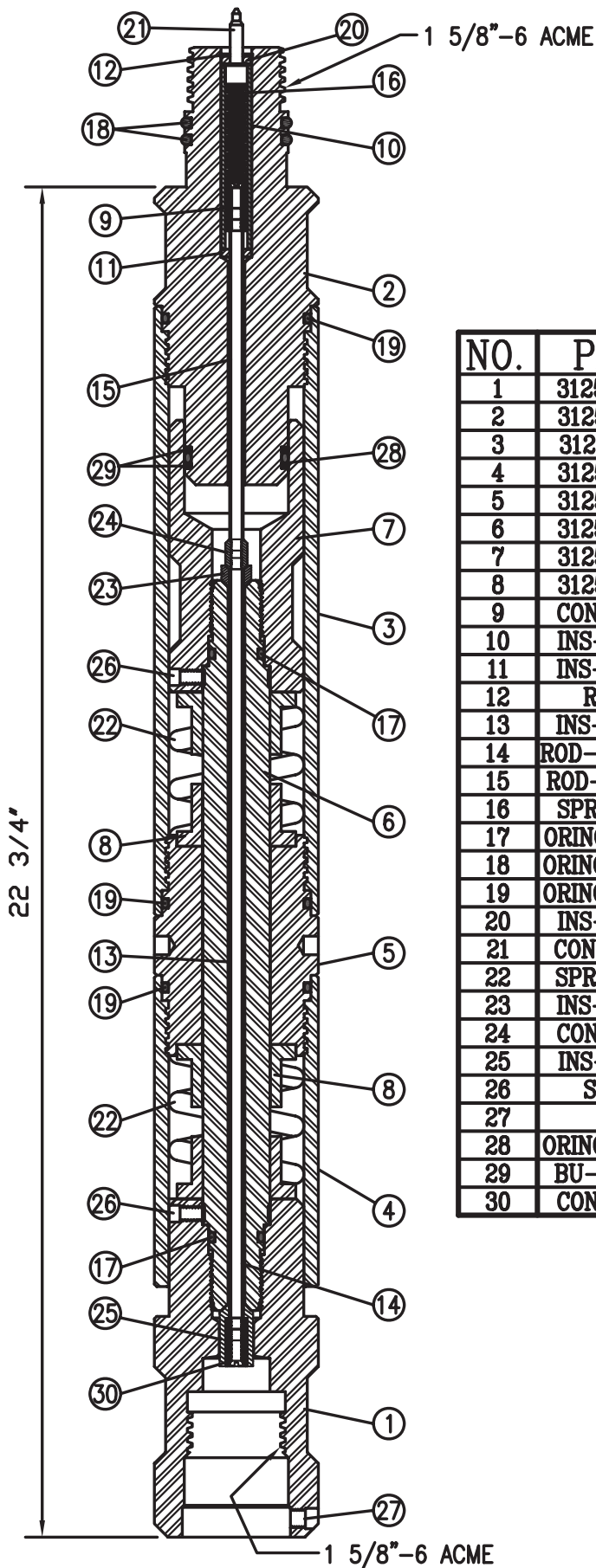
24/7 Sales and Support +1 (817) 568 8528

2 3/4" BOW SPRING CENTRALIZER

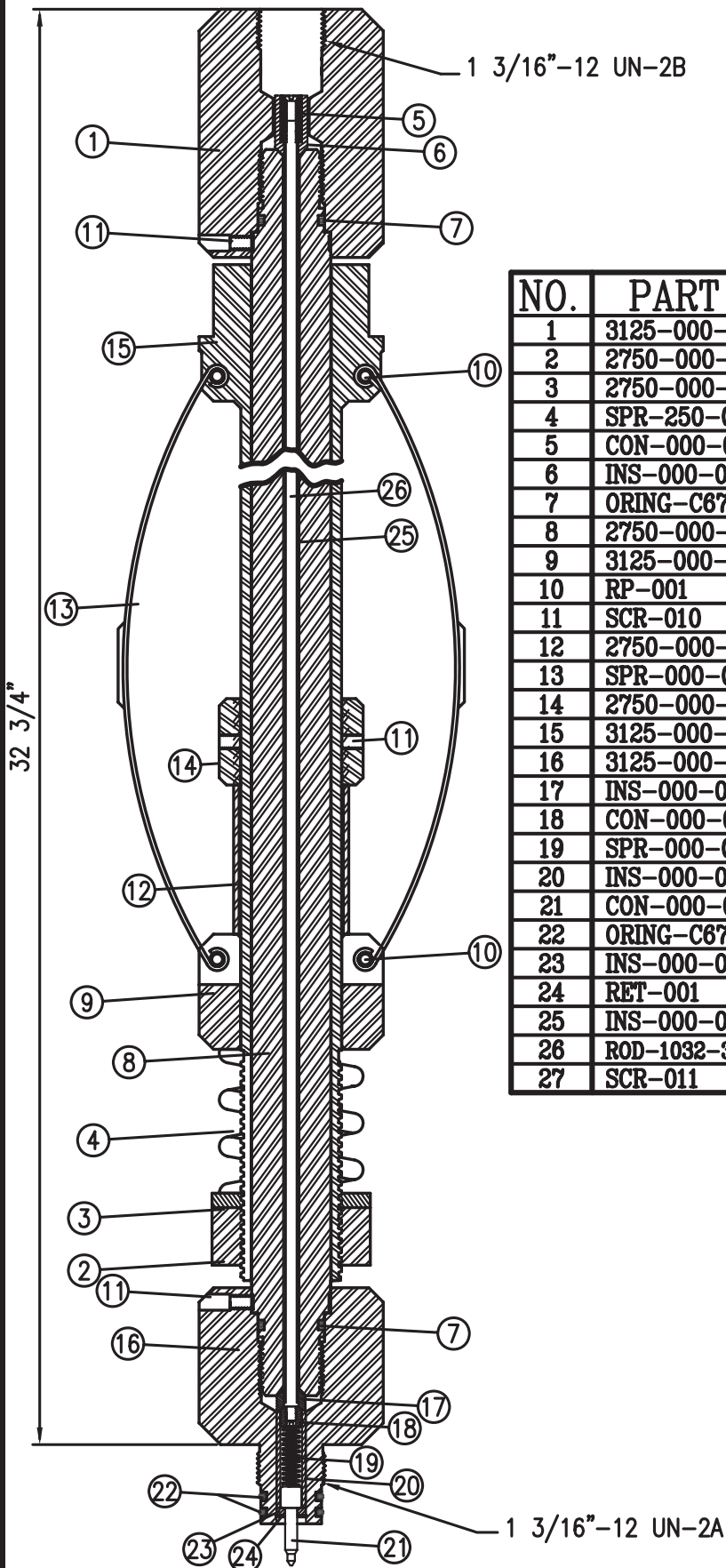


NO.	PART #	DESCRIPTION
1	2750-000-039	SWIVEL TOP SUB
2	2750-000-037	SWIVEL MANDREL
3	2750-000-040	SWIVEL PISTON
4	2750-000-041	SWIVEL PISTON ADAPTER
5	2750-000-036	SWIVEL BEARING HOUSING
6	2750-000-038	SWIVEL BOTTOM SUB
7	2750-000-042	SWIVEL RETAINER RING
8	CON-000-001	Go Pin Contact Plunger
9	INS-000-004	Go Pin Insulating Washer
10		.515 Internal Retainer Ring
11	SPR-150-004	Go Pin Compression Spring
12	ORING-C67-211	211 O-Ring C-67
13	CON-000-033	SWIVEL CONTACT PLUNGER
14	CON-000-058	CONTACT RECEPTACLE
15	CON-000-037	REVERSE PRESSURE CONNECTOR
16	INS-000-054	SWIVEL GO PIN CONTACT INSULATOR
17	BRG-000-001	THRUST BEARING
18	BRG-000-002	THRUST WASHER
19	BRG-000-003	TAPERED ROLLER BEARING
20	BRG-000-004	TAPERED ROLLER BEARING RACE
21		HIGH TEMP HEAT SHRINK
22	KIT-002	SPRING LOADED PRESSURE CONNECTOR ROD
23	ORING-C67-224	224 O-RING C-67
24		10-32 x .375 S.S. PAN HEAD SCREW
25	ORING-C67-218	218 O-RING C-67 70 DURO
26	ORING-C67-213	213 O-RING C-67
27	CON-000-038	PRESSURE CONNECTOR
28	INS-000-053	SWIVEL BOX INSULATOR
29	CON-000-034	SWIVEL GO BOX CONTACT PIN
30	CON-000-035	SWIVEL GO BOX CONTACT BOX
31	INS-000-055	SWIVEL GO BOX INSULATOR
32	ORING-C67-228	228 O-RING C-67
33	ORING-C67-008	008 O-RING C-67

Pullout Strength of Threads = 80,000#
 Pressure Rating = 20,000 psi
 Temperature Rating = 450° F



NO.	PART #	DESCRIPTION
1	3125-000-009	Shock Absorber Bottom Sub
2	3125-000-010	Shock Absorber Top Sub
3	3125-000-011	Shock Absorber Top Housing
4	3125-000-012	Shock Absorber Bottom Housing
5	3125-000-013	Shock Absorber Tandom Sub
6	3125-000-014	Shock Absorber Mandrel
7	3125-000-015	Shock Absorber Mandrel Adapter
8	3125-000-016	Shock Absorber Spacer
9	CON-000-029	Contact Receptacle
10	INS-000-026	Contact Insulator
11	INS-000-003	Insulating Washer
12	RET-001	.515 Internal Retainer Ring
13	INS-000-008	Teflon Insulating Sleeve
14	ROD-1032-12.938	10-32 Contact Rod x 12.938
15	ROD-1032-5.812	10-32 Contact Rod x 5.812
16	SPR-000-004	Go Pin Compression Spring
17	ORING-V95-212	212 O-Ring VITON 95
18	ORING-V95-222	222 O-Ring VITON 95
19	ORING-V95-230	230 O-Ring VITON 95
20	INS-000-004	Go Pin Insulating Washer
21	CON-000-030	Go Pin Contact Plunger
22	SPR-000-019	Shock Sub Compression Spring
23	INS-000-002	Beveled Insulator
24	CON-000-028	Shock Sub Connecting Contact
25	INS-000-001	Bottom Sub Contact Insulator
26	SCR-011	1/4-20 x 3/8" Socket set Screw
27		5/16-24 x 3/8" Socket set Screw
28	ORING-V75-224	224 O-Ring VITON 75
29	BU-RING-224	224 BACKUP RING
30	CON-000-003	Contact Receptacle



NO.	PART #	DESCRIPTION
1	3125-000-024	Bow Spring Centralizer Top Sub
2	2750-000-007	Bow Spring Centralizer Adjustment Nut
3	2750-000-011	Bow Spring Centralizer Spacer
4	SPR-250-005	Bow Spring Centralizer Compression Spring
5	CON-000-003	Bow Spring Centralizer Top Sub Contact
6	INS-000-001	Bow Spring Centralizer Top Sub Insulator
7	ORING-C67-212	212 O-Ring C-67
8	2750-000-006	Bow Spring Centralizer Mandrel
9	3125-000-026	Bow Spring Centralizer Spring Collar
10	RP-001	1/4" x 1 1/8" Spirol Roll Pin
11	SCR-010	3/8"-24 Socket Set Screw x .250
12	2750-000-008	Bow Spring Centralizer Adjustment Sleeve
13	SPR-000-014	Bow Spring Centralizer Bow Spring
14	2750-000-009	Bow Spring Centralizer Adjustment Collar
15	3125-000-023	Bow Spring Centralizer Rotating Sleeve
16	3125-000-025	Bow Spring Centralizer Bottom Sub
17	INS-000-002	Bow Spring Centralizer Bottom Sub Insulator
18	CON-000-002	Bow Spring Centralizer Bottom Sub Contact
19	SPR-000-004	Go Pin Compression Spring
20	INS-000-005	Contact Insulator
21	CON-000-001	Go Pin Contact Plunger
22	ORING-C67-211	211 O-Ring C-67
23	INS-000-004	Go Pin Insulating Washer
24	RET-001	.515 Internal Retainer Ring
25	INS-000-008	Teflon Insulating Sleeve
26	ROD-1032-30.187	10-32 Contact Rod x 30.187
27	SCR-011	1/4"-20 Socket Set Screw x .375

ASSY #: 3125-CENT

79

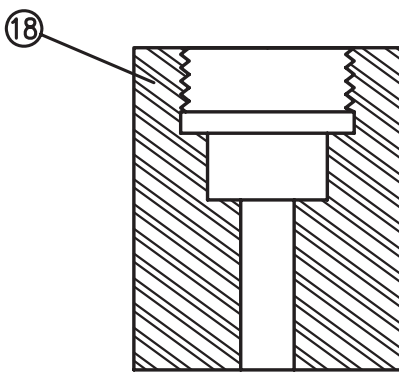
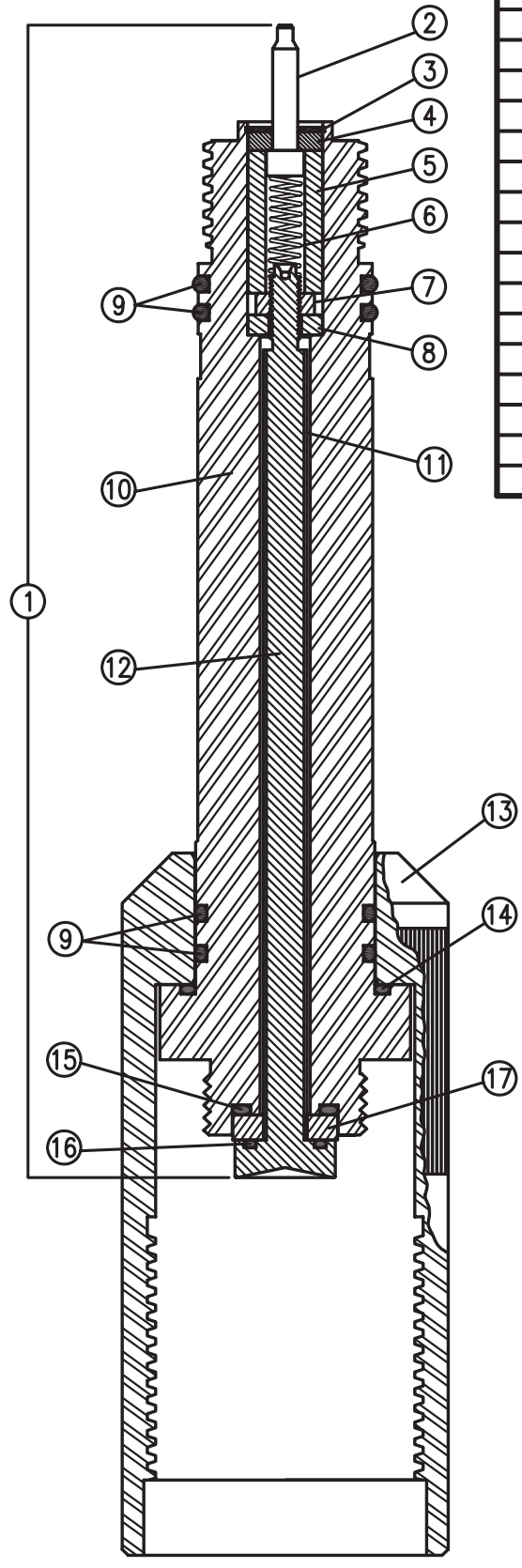


www.probe1.com

24/7 Sales and Support +1 (817) 568 8528

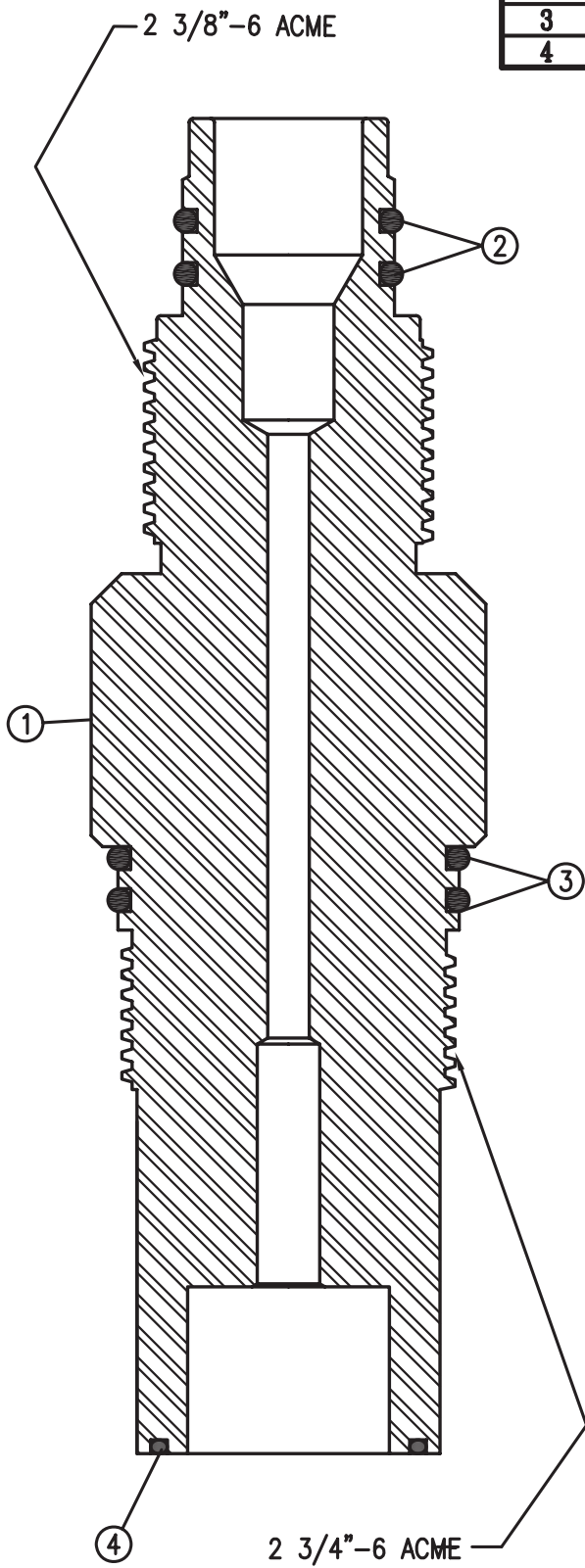
3 1/8" BOW SPRING CENTRALIZER

NO.	PART #	DESCRIPTION
1	KIT-3250-006	Complete Kit Assembly (Excludes Contact Rod)
2	CON-000-053	Contact Plunger
3	RET-004	3/4" Internal Retainer Ring
4	INS-000-069	Insulating Washer
5	INS-000-072	Contact Insulator
6	SPR-000-004	Contact Spring
7		5/16-24 Hex Nut
8	INS-000-070	Insulating Washer
9	ORING-C67-222	222 O-Ring C-67
10	3250-000-006	Crossover Sub Body
11	INS-000-058	Teflon Insulating Sleeve
12	CON-000-052	Contact Rod
13	3250-000-007	Quick Change Collar
14	ORING-C67-224	224 O-Ring C-67
15	ORING-C67-211	211 O-Ring C-67
16	ORING-C67-114	114 O-Ring C-67
17	INS-000-071	Insulating Washer
18	3250-000-008	Detonator Block



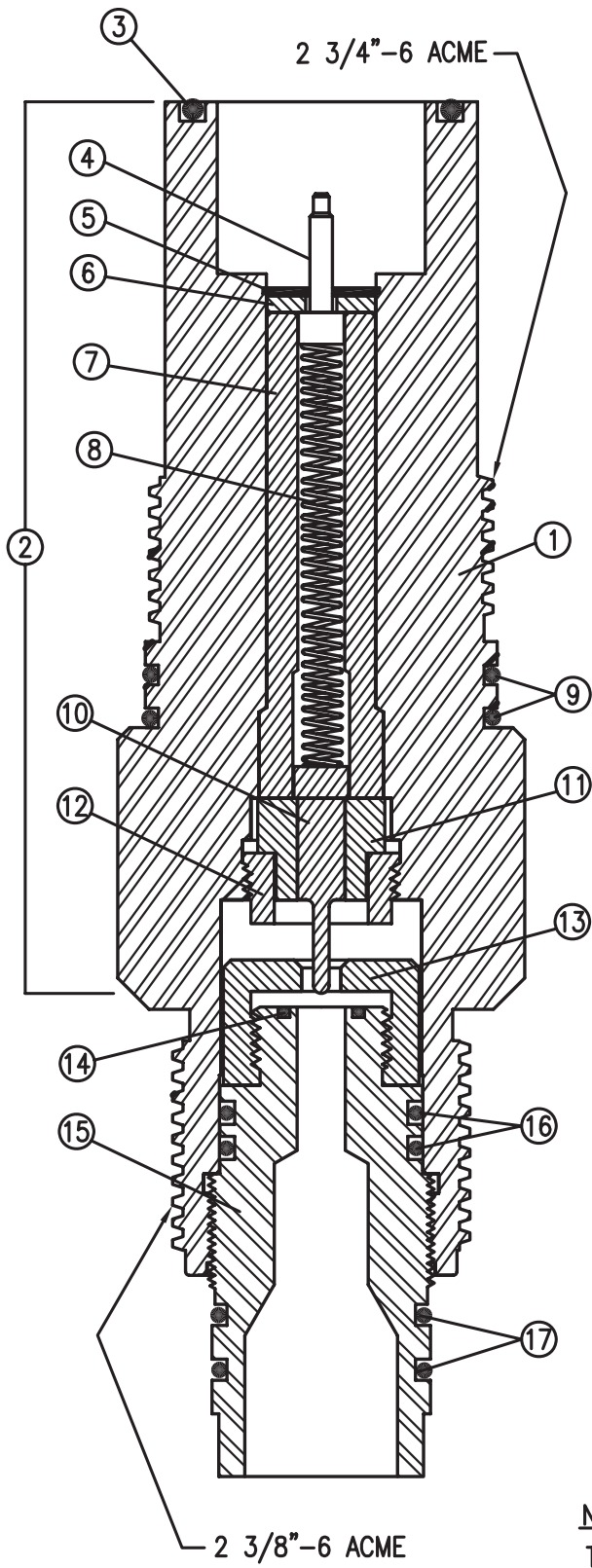
80
ASSY #: 3250-GO-QC

NO.	PART #	DESCRIPTION
1	3250-000-004	#10 Baker Firing Head To Go Quick Change
2	ORING-C67-222	222 O-Ring C-67
3	ORING-C67-230	230 O-Ring C-67
4	ORING-C67-226	226 O-Ring C-67



NOTE:
THIS ASSEMBLY USES A GO TYPE INGNITER

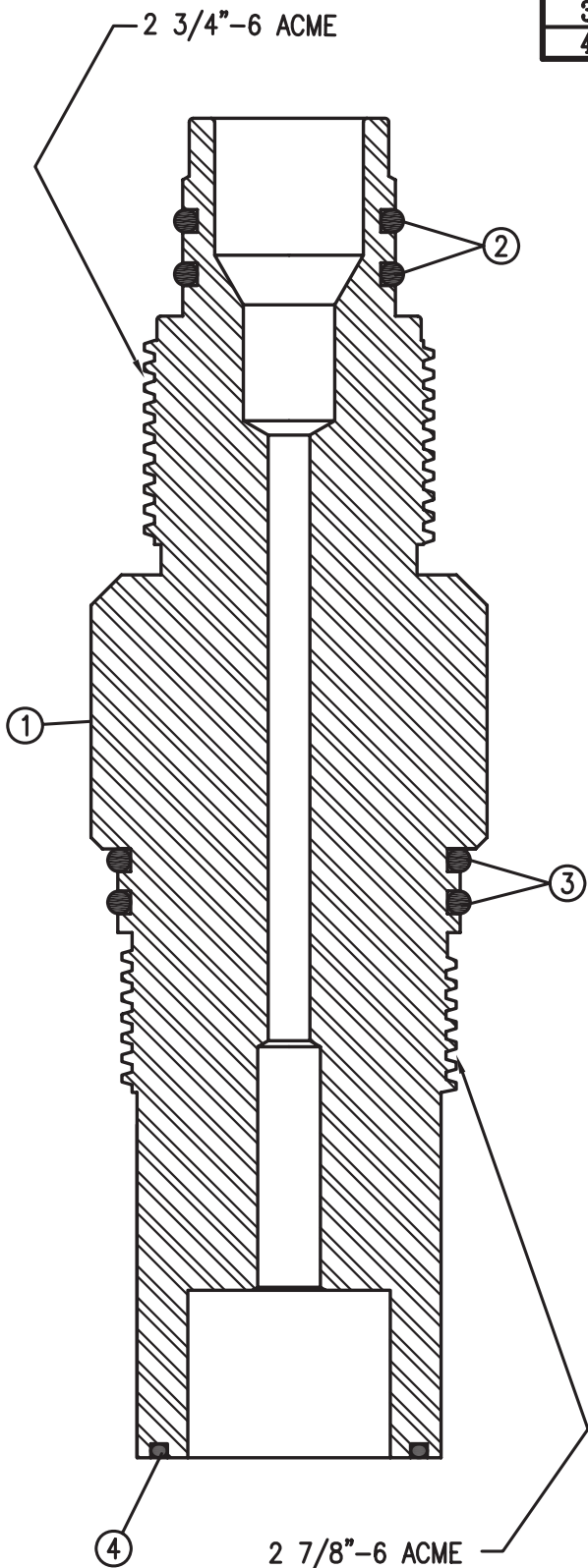
NO.	PART #	DESCRIPTION
1	3250-000-001	#10 Baker Firing Head Sub Body
2	KIT-3250-001	#10 Baker Firing Head Kit
3	ORING-C67-328	328 O-Ring C-67
4	CON-000-041	Contact Plunger
5	RET-003	.875 Internal Retainer Ring
6	INS-000-017	Insulating Washer
7	INS-000-065	Contact Insulator
8	SPR-000-022	Contact Spring
9	ORING-C67-230	230 O-Ring C-67
10	CON-000-047	Contact Plunger
11	INS-000-062	Contact Insulator
12	3250-000-002	#10 Retainer COLLAR
13	3250-000-005	#10 Igniter Holder Cap
14	ORING-C67-112	112 O-Ring C-67
15	3250-000-003	#10 Igniter Holder Body
16	ORING-C67-220	220 O-Ring C-67
17	ORING-C67-222	222 O-Ring C-67



NOTE:

THIS ASSEMBLY USES A BAKER TYPE IGNITER

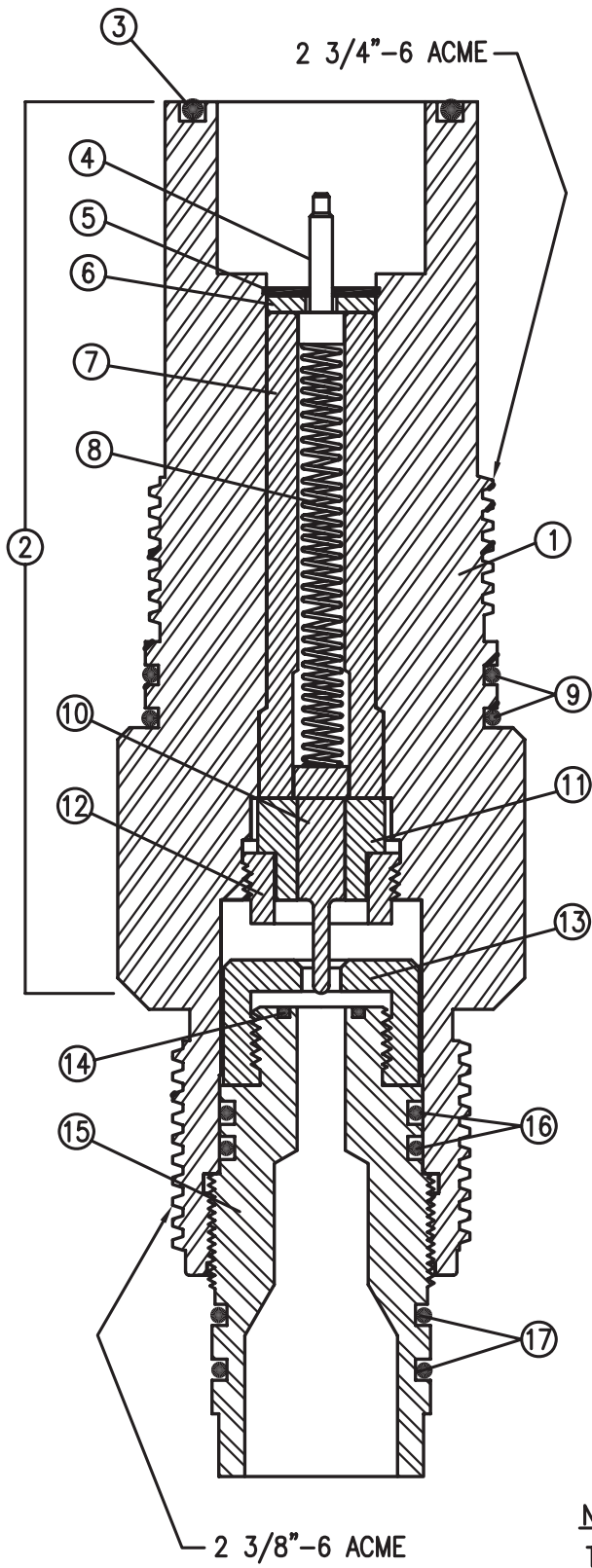
NO.	PART #	DESCRIPTION
1	3500-000-007	#20 Baker Firing Head To Go Quick Change
2	ORING-C67-328	328 O-Ring C-67
3	ORING-C67-230	230 O-Ring C-67
4	ORING-C67-226	226 O-Ring C-67



NOTE:

THIS ASSEMBLY USES A GO TYPE INGNITER

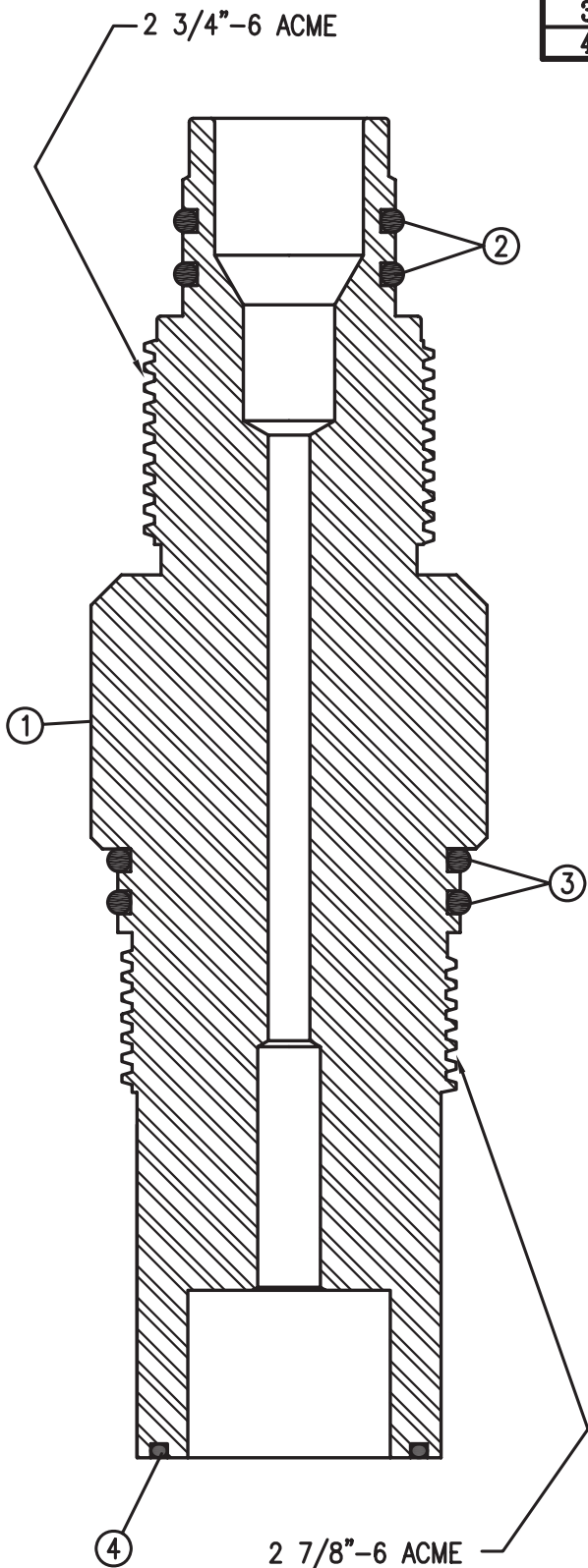
NO.	PART #	DESCRIPTION
1	3250-000-001	#10 Baker Firing Head Sub Body
2	KIT-3250-001	#10 Baker Firing Head Kit
3	ORING-C67-328	328 O-Ring C-67
4	CON-000-041	Contact Plunger
5	RET-003	.875 Internal Retainer Ring
6	INS-000-017	Insulating Washer
7	INS-000-065	Contact Insulator
8	SPR-000-022	Contact Spring
9	ORING-C67-230	230 O-Ring C-67
10	CON-000-047	Contact Plunger
11	INS-000-062	Contact Insulator
12	3250-000-002	#10 Retainer COLLAR
13	3250-000-005	#10 Igniter Holder Cap
14	ORING-C67-112	112 O-Ring C-67
15	3250-000-003	#10 Igniter Holder Body
16	ORING-C67-220	220 O-Ring C-67
17	ORING-C67-222	222 O-Ring C-67



NOTE:

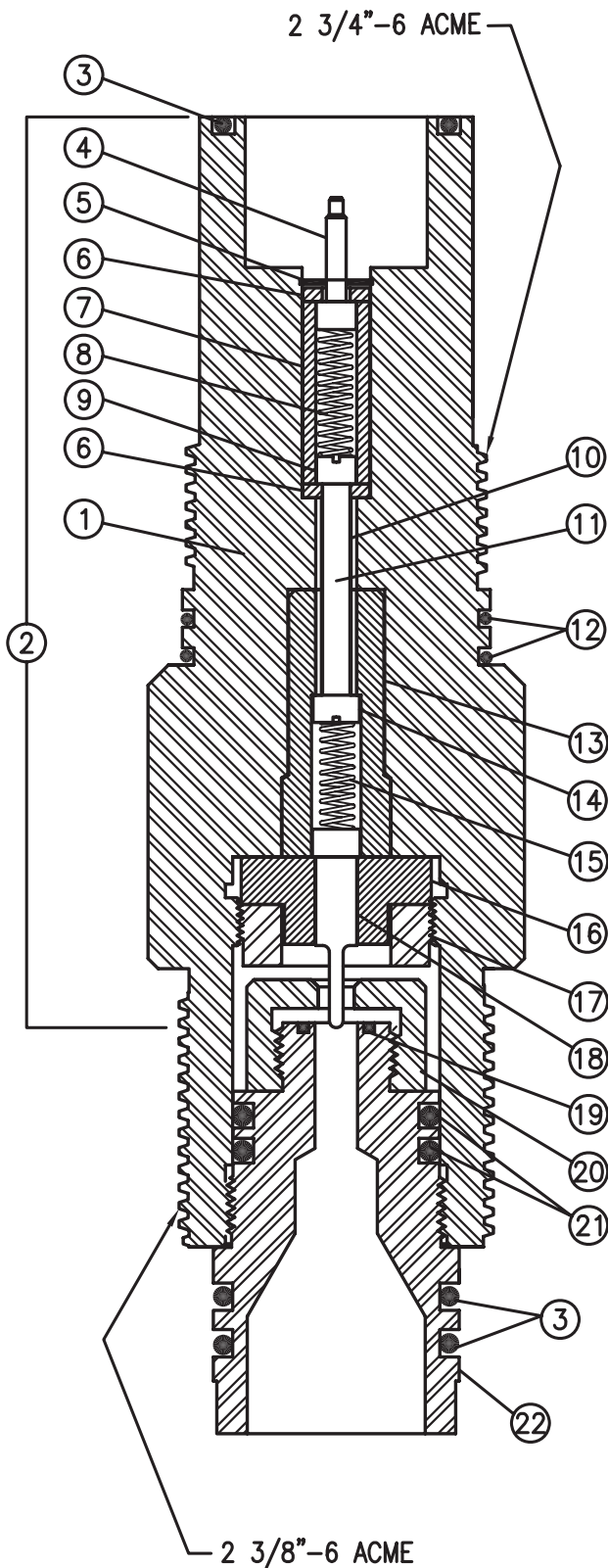
THIS ASSEMBLY USES A BAKER TYPE IGNITER

NO.	PART #	DESCRIPTION
1	3500-000-007	#20 Baker Firing Head To Go Quick Change
2	ORING-C67-328	328 O-Ring C-67
3	ORING-C67-230	230 O-Ring C-67
4	ORING-C67-226	226 O-Ring C-67



NOTE:

THIS ASSEMBLY USES A GO TYPE INGNITER



NO.	PART #	DESCRIPTION
1	3500-000-011	#20 Baker Firing Head Sub Body
2	KT-3500-011	#20 Baker Firing Head Kit
3	ORING-C67-328	328 O-Ring C-67
4	CON-000-041	Contact Plunger
5	RET-002	.625 Internal Retainer Ring
6	INS-000-051	Insulating Washer
7	INS-000-066	Contact Insulator
8	SPR-000-004	Contact Spring
9	CON-000-048	Contact Rod End Cap
10	INS-000-008	Teflon Insulating Sleeve
11	3500-000-008	Contact Rod
12	ORING-C67-230	230 O-Ring C-67
13	INS-000-067	Contact Insulator
14	CON-000-049	Contact Rod End Cap
15	SPR-000-021	Contact Spring
16	INS-000-068	Contact Insulator
17	3500-000-009	#20 Retainer Collar
18	CON-000-047	Contact Plunger
19	ORING-C67-112	112 O-Ring C-67
20	3250-000-005	#20 Igniter Holder Cap
21	ORING-C67-325	325 O-Ring C-67
22	3500-000-010	#20 Igniter Holder Body

NOTE:

THIS ASSEMBLY USES A BAKER TYPE IGNITER



24/7 Sales and Support +1 817 568 8528
www.probe1.com

Fort Worth / Houston | Texas | USA
+1 817 568 8528

Long Beach | California | USA
+1 562 595 0661

Calgary | Alberta | Canada
+1 403 274 1249

Villahermosa | Tabasco | Mexico
+52 993 316 4252

Aberdeen | Scotland | UK
+44 1224 708470

Dubai | UAE
+971 4 392 2365

Probe®



WELL
INTEGRITY



FORMATION
EVALUATION



PRODUCTION
LOGGING



WELL
INTERVENTION



SURFACE
SYSTEMS



DOWNHOLE
INSTRUMENTATION



WELL
MONITORING



WIRELESS
INSTRUMENTATION



GEOHERMAL
& UHT LOGGING



MEMORY
LOGGING

probe1.com

reliable technology | intelligent solutions

2019.01.30